



KARTAL

TARIMSAL SULAMA SİSTEMLERİ



2026

www.kartaltarimsal.com



SÜZGEÇLİ DİP KLEPE (DİLLİ)



| KODU | ÖLÇÜ | MM | FİYAT |
|--------|------|-----|-----------|
| 100102 | 2" | 63 | 1.990,00 |
| 100103 | 2½" | 75 | 2.260,00 |
| 100104 | 3" | 90 | 2.860,00 |
| 100105 | 4" | 110 | 3.730,00 |
| 100106 | 5" | 140 | 4.690,00 |
| 100107 | 6" | 160 | 6.400,00 |
| 100108 | 8" | 200 | 14.560,00 |

MANDALLI ARA KLEPE



| KODU | ÖLÇÜ | MM | FİYAT |
|--------|------|-----|----------|
| 100301 | 2½" | 75 | 3.030,00 |
| 100302 | 3" | 90 | 3.220,00 |
| 100303 | 4" | 110 | 4.880,00 |
| 100304 | 4½" | 125 | 6.360,00 |
| 100305 | 5" | 140 | 7.425,00 |
| 100306 | 6" | 160 | 8.640,00 |

KLEPE LASTİĞİ



| KODU | ÖLÇÜ | MM | FİYAT |
|--------|------|-----|--------|
| 101303 | 2½" | 75 | 46,00 |
| 101304 | 3" | 90 | 76,00 |
| 101305 | 4" | 110 | 89,00 |
| 101306 | 5" | 125 | 103,00 |
| 101307 | 6" | 150 | 130,00 |
| 101308 | 8" | 200 | 228,00 |

MANŞONLU ÇEKVALF



| KODU | ÖLÇÜ | MM | FİYAT |
|--------|------|-----|----------|
| 100202 | 2" | 63 | 1.931,00 |
| 100203 | 2½" | 75 | 2.905,00 |
| 100204 | 3" | 90 | 3.700,00 |
| 100205 | 4" | 110 | 4.410,00 |
| 100206 | 5" | 125 | 5.255,00 |
| 100207 | 6" | 150 | 6.360,00 |

DİŞİ POMPA BAŞLIĞI DEMİR



| KODU | ÖLÇÜ | MM | FİYAT |
|--------|------|-----|----------|
| 100501 | 2½" | 75 | 270,00 |
| 100502 | 3" | 90 | 340,00 |
| 100503 | 4" | 110 | 420,00 |
| 100504 | 4½" | 125 | 600,00 |
| 100505 | 5" | 140 | 850,00 |
| 100506 | 6" | 160 | 1.100,00 |

ERKEK POMPA BAŞLIĞI DEMİR



| KODU | ÖLÇÜ | MM | FİYAT |
|--------|------|-----|----------|
| 100601 | 2½" | 75 | 350,00 |
| 100602 | 3" | 90 | 400,00 |
| 100603 | 4" | 110 | 450,00 |
| 100604 | 4½" | 125 | 750,00 |
| 100605 | 5" | 140 | 1.000,00 |
| 100606 | 6" | 160 | 1.250,00 |



SAC TULUMBA



| KODU | ÖLÇÜ | MM | FİYAT |
|--------|------|-----|----------|
| 101102 | 1" | 32" | 2.900,00 |

FLANŞLI SAC TULUMBA



| KODU | ÖLÇÜ | MM | FİYAT |
|--------|------|-----|----------|
| 101101 | 1½" | 50" | 3.400,00 |

DIŞTAN DİŞLİ SANTRAFÜJ KLEPE



| KODU | ÖLÇÜ | MM | FİYAT |
|--------|------|-----|----------|
| 100901 | 3" | 90 | 2.900,00 |
| 100902 | 4" | 110 | 3.630,00 |
| 100903 | 5" | 140 | 4.550,00 |

SANTRAFÜJ KLEPE

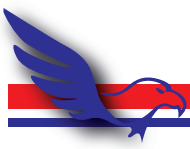


| KODU | ÖLÇÜ | MM | FİYAT |
|--------|------|-----|----------|
| 101201 | 3" | 90 | 3.910,00 |
| 101202 | 4" | 110 | 4.900,00 |
| 101203 | 5" | 140 | 6.160,00 |

SONDAJ KLEPE



| KODU | ÖLÇÜ | MM | FİYAT |
|--------|--------|----|----------|
| 101207 | 4"x 3" | | 4.565,00 |
| 101208 | 4"x 4" | | 5.225,00 |



GALVANİZ HORTUM REKORU



| KODU | ÖLÇÜ | KOLİ ADET | FİYAT |
|--------|------|--------------|----------|
| 101401 | ½" | 200 | 83,00 |
| 101402 | ¾" | 200 | 94,00 |
| 101403 | 1" | 200 | 108,00 |
| 101404 | 1¼" | 60 | 138,00 |
| 101405 | 1½" | 50 | 165,00 |
| 101406 | 2" | 40 | 216,00 |
| 101407 | 2½" | 30 | 294,00 |
| 101408 | 3" | 20 | 440,00 |
| 101409 | 4" | 20 | 656,00 |
| 101410 | 5" | | 1.534,00 |
| 101411 | 6" | | 2.330,00 |
| 101412 | 8" | | 3.186,00 |
| 101413 | 10" | | 5.208,00 |

GALVANİZ HORTUM EKLEME REKORU



| KODU | ÖLÇÜ | KOLİ ADET | FİYAT |
|--------|------|--------------|----------|
| 101501 | ½" | 200 | 100,00 |
| 101502 | ¾" | 200 | 117,00 |
| 101503 | 1" | 200 | 161,00 |
| 101504 | 1¼" | 50 | 186,00 |
| 101505 | 1½" | 50 | 226,00 |
| 101506 | 2" | 30 | 330,00 |
| 101507 | 2½" | 20 | 440,00 |
| 101508 | 3" | 20 | 548,00 |
| 101509 | 4" | 10 | 821,00 |
| 101510 | 5" | | 2.514,00 |
| 101511 | 6" | | 3.564,00 |
| 101512 | 8" | | 4.176,00 |
| 101513 | 10" | | 7.116,00 |

GALVANİZ REDÜKSİYON REKOR



| KODU | ÖLÇÜ | KOLİ ADET | FİYAT |
|--------|----------|--------------|--------|
| 102100 | 1"x ¾" | | 238,00 |
| 102101 | 1¼"x 1" | | 255,00 |
| 102111 | 1½"x 1" | | 250,00 |
| 102102 | 1½"x 1¼" | | 357,00 |
| 102114 | 2"x 1" | | 298,00 |
| 102103 | 2"x 1¼" | | 288,00 |
| 102106 | 2"x 1½" | | 407,00 |
| 102107 | 2½"x 2" | | 466,00 |
| 102108 | 3"x 2½" | | 496,00 |
| 102109 | 3"x 2" | | 674,00 |
| 102113 | 4"x 3" | | |

GALVANİZ TAM GEÇİŞLİ HORTUM REKORU



| KODU | ÖLÇÜ | KOLİ ADET | FİYAT |
|--------|------|--------------|--------|
| 101701 | ½" | 200 | 90,00 |
| 101702 | ¾" | 200 | 106,00 |
| 101703 | 1" | 100 | 126,00 |
| 101704 | 1¼" | 50 | 167,00 |
| 101705 | 1½" | 50 | 179,00 |
| 101707 | 2" | 30 | 268,00 |
| 101706 | 2½" | 20 | 308,00 |
| 101708 | 3" | 20 | 407,00 |
| 101709 | 4" | 10 | 555,00 |

SİYAH DIŞLI BORU UCU



| KODU | ÖLÇÜ | KOLİ ADET | FİYAT |
|--------|------|--------------|--------|
| 101901 | ½" | | 46,00 |
| 101902 | ¾" | | 52,00 |
| 101903 | 1" | | 60,00 |
| 101904 | 1¼" | | 84,00 |
| 101905 | 1½" | | 90,00 |
| 101906 | 2" | | 149,00 |
| 101907 | 2½" | | 198,00 |
| 101908 | 3" | | 238,00 |
| 101909 | 4" | | 328,00 |
| 101910 | 5" | | |
| 101911 | 6" | | |

GALVANİZ BORU NİPEL



| KODU | ÖLÇÜ | KOLİ ADET | FİYAT |
|--------|------|--------------|--------|
| 102201 | ½" | | 88,00 |
| 102202 | ¾" | | 96,00 |
| 102203 | 1" | | 100,00 |
| 102204 | 1¼" | | 130,00 |
| 102205 | 1½" | | 176,00 |
| 102206 | 2" | | 198,00 |
| 102207 | 2½" | | 233,00 |
| 102208 | 3" | | 317,00 |
| 102209 | 4" | | 476,00 |



GALVANİZ DIŞTAN İÇE REDÜKSİYON



| KODU | ÖLÇÜ | KOLİ ADET | FİYAT |
|--------|-----------------|--------------|--------|
| 102010 | 1 1/4" x 1" | | 207,00 |
| 102011 | 1 1/2" x 1 1/4" | | 238,00 |
| 102012 | 1 1/2" x 1" | | 255,00 |
| 102001 | 2" x 1" | | 334,00 |
| 102002 | 2" x 1 1/4" | | 286,00 |
| 102003 | 2" x 1 1/2" | | 262,00 |
| 102004 | 2 1/2" x 1 1/2" | | 365,00 |
| 102005 | 2 1/2" x 2" | | 350,00 |
| 102006 | 3" x 2 1/2" | | 381,00 |
| 102007 | 3" x 2" | | 429,00 |
| 102008 | 4" x 2 1/2" | | 555,00 |
| 102009 | 4" x 3" | | 524,00 |

GALVANİZ MANŞON REDÜKSİYON



| KODU | ÖLÇÜ | KOLİ ADET | FİYAT |
|--------|-----------------|--------------|--------|
| 102310 | 1 1/4" x 1" | | 207,00 |
| 102311 | 1 1/2" x 1 1/4" | | 238,00 |
| 102312 | 1 1/2" x 1" | | 255,00 |
| 102301 | 2" x 1" | | 334,00 |
| 102302 | 2" x 1 1/4" | | 286,00 |
| 102303 | 2" x 1 1/2" | | 262,00 |
| 102304 | 2 1/2" x 1 1/2" | | 365,00 |
| 102305 | 2 1/2" x 2" | | 350,00 |
| 102306 | 3" x 2 1/2" | | 381,00 |
| 102307 | 3" x 2" | | 429,00 |
| 102308 | 4" x 2 1/2" | | 555,00 |
| 102309 | 4" x 3" | | 524,00 |

GALVANİZ DIŞTAN DIŞLI REDÜKSİYON



| KODU | ÖLÇÜ | KOLİ ADET | FİYAT |
|--------|-----------------|--------------|--------|
| 102401 | 1" x 3/4" | | 143,00 |
| 102402 | 1 1/4" x 1" | | 173,00 |
| 102403 | 1 1/2" x 1" | | 207,00 |
| 102404 | 1 1/2" x 1 1/4" | | 182,00 |
| 102405 | 2" x 1" | | 312,00 |
| 102406 | 2" x 1 1/4" | | 249,00 |
| 102407 | 2" x 1 1/2" | | 222,00 |
| 102408 | 2 1/2" x 1 1/2" | | 334,00 |
| 102409 | 2 1/2" x 2" | | 302,00 |
| 102410 | 3" x 2 1/2" | | 350,00 |
| 102411 | 3" x 2" | | 381,00 |
| 102412 | 4" x 2 1/2" | | 618,00 |
| 102413 | 4" x 3" | | 524,00 |

GALVANİZ İÇTEN DIŞA REDÜKSİYON



| KODU | ÖLÇÜ | KOLİ ADET | FİYAT |
|--------|-----------------|--------------|--------|
| 102511 | 1 1/4" x 1" | | 207,00 |
| 102512 | 1 1/2" x 1 1/4" | | 238,00 |
| 102513 | 1 1/2" x 1" | | 255,00 |
| 102501 | 2" x 1" | | 334,00 |
| 102502 | 2" x 1 1/4" | | 286,00 |
| 102503 | 2" x 1 1/2" | | 262,00 |
| 102504 | 2 1/2" x 1 1/2" | | 365,00 |
| 102505 | 2 1/2" x 2" | | 350,00 |
| 102506 | 3" x 2 1/2" | | 381,00 |
| 102507 | 3" x 2" | | 429,00 |
| 102508 | 4" x 2 1/2" | | 555,00 |
| 102509 | 4" x 3" | | 524,00 |



AYARLI SAC KELEPÇE



| KODU | ÖLÇÜ | MM | KOLİ ADET | FİYAT |
|--------|------|-----------|--------------|--------|
| 103201 | 1" | 30 x 33 | 50 | 89,50 |
| 103202 | | 34 x 36 | 50 | 90,70 |
| 103203 | 1¼" | 37 x 40 | 50 | 91,60 |
| 103204 | | 41 x 43 | 50 | 92,70 |
| 103205 | 1½" | 43 x 46 | 50 | 93,80 |
| 103206 | | 47 x 51 | 50 | 94,20 |
| 103207 | | 52 x 55 | 50 | 94,70 |
| 103208 | 2" | 56 x 61 | 50 | 97,00 |
| 103209 | | 62 x 65 | 50 | 97,50 |
| 103210 | | 62 x 67 | 50 | 98,30 |
| 103211 | 2½" | 66 x 74 | 50 | 99,70 |
| 103212 | | 74 x 79 | 50 | 101,00 |
| 103213 | | 75 x 83 | 50 | 102,00 |
| 103214 | | 80 x 85 | 50 | 103,10 |
| 103215 | 3" | 84 x 91 | 50 | 104,20 |
| 103216 | | 91 x 97 | 50 | 105,40 |
| 103217 | 3½" | 92 x 102 | 50 | 106,70 |
| 103218 | | 100 x 108 | 50 | 107,60 |
| 103219 | | 103 x 110 | 50 | 108,80 |
| 103220 | | 108 x 118 | 50 | 110,00 |
| 103221 | 4" | 110 x 120 | 50 | 111,00 |
| 103222 | | 121 x 131 | 50 | 112,00 |
| 103223 | 5" | 135 x 145 | 50 | 125,00 |
| 103224 | | 140 x 152 | 50 | 127,00 |
| 103225 | | 152 x 165 | 50 | 130,00 |
| 103226 | 6" | 164 x 174 | 50 | 135,00 |
| 103227 | | 188 x 200 | 50 | 137,00 |
| 103228 | | 200 x 216 | 50 | 143,00 |
| 103229 | 8" | 216 x 226 | 50 | 146,00 |
| 103230 | 8" | 200 x 235 | 50 | 149,00 |



HORTUMSAN KELEPÇE



| KODU | ÖLÇÜ | MM | KOLİ ADET | FİYAT |
|--------|------|----|-----------|--------|
| 103301 | 1" | | 50 | 74,40 |
| 103302 | 1¼" | | 50 | 79,00 |
| 103303 | 1½" | | 50 | 82,80 |
| 103304 | 2" | | 50 | 95,80 |
| 103305 | 2½" | | 50 | 107,30 |
| 103306 | 3" | | 50 | 119,70 |
| 103307 | 4" | | 50 | 134,00 |
| 103308 | 5" | | 50 | 174,50 |
| 103309 | 6" | | 50 | 197,00 |

TEL KELEPÇE



| KODU | ÖLÇÜ | MM | KOLİ ADET | FİYAT |
|--------|------|---------|-----------|--------|
| 103401 | 1" | 26x32 | 100 | 90,30 |
| 103402 | 1" | 30x38 | 100 | 92,00 |
| 103403 | 1¼" | 38x42 | 100 | 99,00 |
| 103404 | 1½" | 42x48 | 100 | 103,50 |
| 103405 | | 48x52 | 100 | 108,60 |
| 103406 | 2" | 52x58 | 100 | 114,00 |
| 103407 | | 58x62 | 100 | 121,50 |
| 103408 | 2" | 62x65 | 100 | 119,00 |
| 103409 | | 65x72 | 100 | 120,40 |
| 103410 | 2½" | 72x76 | 100 | 122,60 |
| 103411 | | 76x82 | 100 | 126,10 |
| 103412 | 3" | 82x86 | 100 | 129,30 |
| 103413 | 3" | 92x96 | 100 | 132,00 |
| 103414 | | 96x103 | 100 | 132,60 |
| 103415 | 4" | 103x115 | 100 | 134,10 |
| 103416 | 4" | 115x125 | 100 | 134,50 |
| 103417 | 5" | 125x140 | 100 | 140,00 |
| 103418 | 5" | 140x152 | 100 | 145,00 |
| 103419 | 6" | 152x165 | 100 | 148,40 |
| 103420 | 6" | 165x175 | 100 | 153,00 |
| 103421 | 6" | 185x200 | 100 | |
| 103422 | 8" | 200x215 | 100 | |
| 103423 | 8" | 215x235 | 100 | |





AYARLI HORTUM KELEPÇE

A - TİP 8,5 mm BAND GENİŞLİĞİ

| KODU | EBAT | | KOLİ ADET | FİYAT |
|--------|--------|------------|-----------|-------|
| | (Ø) MM | (Ø) İNC | | |
| 107001 | 8 -12 | 5/16 - 1/2 | 1.000 | 9,90 |
| 107002 | 10 -16 | 3/8 - 5/8 | 1.000 | 10,25 |
| 107003 | 13 -19 | 1/2 - 3/4 | 1.000 | 10,95 |
| 107004 | 16 -23 | | 1.000 | 11,40 |
| 107005 | 18 -25 | | 1.000 | 11,90 |



B - TİP 10 mm BAND GENİŞLİĞİ

| KODU | EBAT | | KOLİ ADET | FİYAT |
|--------|---------|-----------------|-----------|--------|
| | (Ø) MM | (Ø) İNC | | |
| 107101 | 19-26 | 3/4 - 1 1/3 | 1.000 | 20,90 |
| 107102 | 20-32 | 3/4 - 1 1/4 | 1.000 | 21,10 |
| 107103 | 23-35 | 8/9 - 1 1/4 | 800 | 21,40 |
| 107104 | 25-40 | 1 - 1 5/8 | 800 | 22,15 |
| 107105 | 28-48 | 1 3/32 - 1 7/8 | 600 | 23,15 |
| 107106 | 30-45 | 1 1/16 - 1 3/4 | 600 | 24,00 |
| 107107 | 32-50 | 1 1/4 - 2 | 500 | 24,40 |
| 107108 | 40-60 | 1 5/8 - 2 3/8 | 500 | 25,80 |
| 107109 | 44-64 | 1 3/4 - 2 1/2 | 500 | 28,25 |
| 107110 | 50-70 | 2 - 2 3/4 | 300 | 34,60 |
| 107111 | 60-80 | 2 3/8 - 3 1/8 | 300 | 36,15 |
| 107112 | 70-90 | 2 3/4 - 3 1/2 | 300 | 38,85 |
| 107113 | 80-100 | 3 1/8 - 4 | 200 | 40,80 |
| 107114 | 90-110 | 3 1/2 - 4 3/8 | 200 | 43,60 |
| 107115 | 100-120 | 4 - 4 3/4 | 150 | 49,30 |
| 107116 | 110-130 | 4 3/8 - 5 1/8 | 150 | 53,55 |
| 107117 | 115-135 | 4 3/8 - 5 1/8 | 150 | 55,80 |
| 107118 | 120-140 | 4 3/4 - 5 1/2 | 100 | 55,80 |
| 107119 | 130-150 | 5 1/8 - 5 7/8 | 100 | 58,05 |
| 107120 | 140-160 | 5 1/2 - 6 1/4 | 100 | 63,65 |
| 107121 | 146-164 | 5 1/2 - 6 1/4 | 100 | 63,65 |
| 107122 | 150-170 | 5 7/8 - 6 3/4 | 50 | 87,40 |
| 107123 | 160-180 | 6 5/16 - 7 1/16 | 50 | 102,55 |
| 107124 | 170-190 | 6 3/4 - 7 1/2 | 50 | 113,40 |
| 107125 | 180-200 | 7 1/2 - 8 1/4 | 50 | 123,30 |
| 107126 | 190-210 | 7 1/2 - 8 1/4 | 50 | 145,05 |
| 107127 | 200-220 | 7 7/8 - 8 5/8 | 50 | 159,55 |
| 107128 | 210-230 | 8 1/4 - 9 | 50 | 174,00 |
| 107129 | 220-240 | 8 5/8 - 9 | 50 | 187,15 |
| 107130 | 230-250 | 9 1/16 - 9 7/8 | 50 | 202,75 |
| 107131 | 240-260 | 9 7/16 - 10 | 50 | 218,05 |
| 107132 | 250-270 | 9 7/8 - 10 | 50 | 235,90 |





AYARLI HORTUM KELEPÇE

C - TİP 13 mm BAND GENİŞLİĞİ



| KODU | EBAT | | KOLİ ADET | FİYAT |
|--------|---------|----------------|--------------|-------|
| | (Ø) MM | (Ø) İNC | | |
| 107140 | 19-26 | 3/4 - 1 1/3 | 600 | 26,95 |
| 107141 | 20-30 | 3/4 - 1 3/16 | 600 | 27,15 |
| 107142 | 22-36 | 7/8 - 1 7/16 | 600 | 27,45 |
| 107143 | 25-42 | 1 - 1 5/8 | 600 | 28,90 |
| 107144 | 28-48 | 1 1/16 - 1 7/8 | 300 | 30,10 |
| 107145 | 32-51 | 1 1/4 - 2 | 300 | 30,35 |
| 107146 | 38-58 | 1 1/2 - 2 5/8 | 300 | 31,05 |
| 107147 | 44-64 | 2 - 2 3/8 | 300 | 34,30 |
| 107148 | 51-72 | 2 - 2 7/8 | 250 | 37,50 |
| 107149 | 57-76 | 2 1/2 - 3 | 250 | 38,55 |
| 107150 | 65-82 | 2 9/16 - 3 1/4 | 200 | 40,50 |
| 107151 | 76-92 | 3 - 3 5/8 | 200 | 42,40 |
| 107152 | 85-103 | 3 3/8 - 4 1/16 | 150 | 46,45 |
| 107153 | 92-110 | 3 5/8 - 4 3/8 | 150 | 48,75 |
| 107154 | 105-121 | 4 1/8 - 4 3/4 | 100 | 54,30 |
| 107155 | 115-135 | 4 2/4 - 5 5/16 | 100 | 61,80 |
| 107156 | 130-146 | 5 1/8 - 5 3/4 | 75 | 65,55 |
| 107157 | 146-164 | 5 3/4 - 6 7/16 | 75 | 72,35 |





GALVANİZ DEVE BOYNU



| ÖLÇÜ | 1" | 1¼" | 1½" | 2" | 2½" | 3" | 4" | 5" | 6" |
|-------|--------|--------|--------|--------|----------|----------|----------|--------|--------|
| KOD | 102601 | 102602 | 102603 | 102604 | 102605 | 102606 | 102607 | 102608 | 102609 |
| FİYAT | 363,00 | 502,00 | 586,00 | 753,00 | 1.086,00 | 1.337,00 | 2.228,00 | | |

GALVANİZ TE



| ÖLÇÜ | 1" | 1¼" | 1½" | 2" | 2½" | 3" | 4" | 5" | 6" |
|-------|--------|--------|--------|--------|--------|--------|----------|----|----|
| KOD | 102801 | 102802 | 102803 | 102804 | 102805 | 102806 | 102807 | | |
| FİYAT | 270,00 | 356,00 | 390,00 | 502,00 | 766,00 | 962,00 | 1.560,00 | | |

GALVANİZ DEMİR DAMLAMA ADAPTÖRÜ



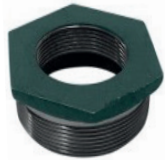
| ÖLÇÜ | 1½" | 2" | 2½" | 3" | 4" | | | | |
|-------|--------|--------|--------|--------|--------|--|--|--|--|
| KOD | 101601 | 101602 | 101603 | 101604 | 101605 | | | | |
| FİYAT | 335,00 | 390,00 | 432,00 | 502,00 | 696,00 | | | | |

GALVANİZ DEMİR GÜBRELEME REKORU



| ÖLÇÜ | 1½" | 2" | 2½" | 3" | 4" | | | | |
|-------|--------|--------|--------|--------|--------|--|--|--|--|
| KOD | 101801 | 101802 | 101803 | 101804 | 101805 | | | | |
| FİYAT | 348,00 | 418,00 | 474,00 | 614,00 | 766,00 | | | | |

PIK REDÜKSİYON



| ÖLÇÜ | 2"x 1" | 2"x 1¼" | 2"x 1½" | 2½"x 1½" | 2½"x 2" | 3"x 2" | 3"x 2½" |
|-------|--------|---------|---------|----------|---------|--------|---------|
| KOD | 105401 | 105402 | 105403 | 105404 | 105405 | 105407 | 105408 |
| FİYAT | 200,00 | 184,00 | 172,00 | 236,00 | 216,00 | 293,00 | 266,00 |
| ÖLÇÜ | 4"x 2" | 4"x 2½" | 4"x 3" | 5"x 4" | 6"x 5" | 6"x 4" | |
| KOD | 105409 | 105410 | 105411 | 105412 | 105414 | 105415 | |
| FİYAT | 412,00 | 410,00 | 375,00 | 522,00 | 766,00 | 836,00 | |

PIK NİPEL



| ÖLÇÜ | 2" | 2½" | 3" | 4" | 5" | 6" | |
|-------|--------|--------|--------|--------|--------|----------|--|
| KOD | 105502 | 105503 | 105504 | 105505 | 105506 | 105507 | |
| FİYAT | 227,00 | 279,00 | 390,00 | 494,00 | 784,00 | 1.240,00 | |



SİYAH DİRSEK



| KODU | ÖLÇÜ | KOLİ ADET | FİYAT |
|--------|------|--------------|----------|
| 103501 | ½" | | 42,65 |
| 103502 | ¾" | | 67,90 |
| 103503 | 1" | | 102,40 |
| 103504 | 1¼" | | 212,80 |
| 103505 | 1½" | | 318,00 |
| 103506 | 2" | | 365,30 |
| 103507 | 2½" | | 949,50 |
| 103508 | 3" | | 1.245,00 |
| 103509 | 4" | | 2.170,00 |

GALVANİZ DİRSEK



| KODU | ÖLÇÜ | KOLİ ADET | FİYAT |
|--------|------|--------------|----------|
| 103601 | ½" | | 49,00 |
| 103602 | ¾" | | 78,00 |
| 103603 | 1" | | 117,80 |
| 103604 | 1¼" | | 244,50 |
| 103605 | 1½" | | 366,00 |
| 103606 | 2" | | 420,00 |
| 103607 | 2½" | | 1.092,50 |
| 103608 | 3" | | 1.492,50 |
| 103609 | 4" | | 2.496,30 |

SİYAH TE



| KODU | ÖLÇÜ | KOLİ ADET | FİYAT |
|--------|------|--------------|----------|
| 103701 | ½" | | 65,90 |
| 103702 | ¾" | | 107,50 |
| 103703 | 1" | | 150,40 |
| 103704 | 1¼" | | 260,00 |
| 103705 | 1½" | | 412,50 |
| 103706 | 2" | | 601,50 |
| 103707 | 2½" | | 1.152,50 |
| 103708 | 3" | | 1.475,00 |
| 103709 | 4" | | 2.600,00 |

GALVANİZ TE



| KODU | ÖLÇÜ | KOLİ ADET | FİYAT |
|--------|------|--------------|----------|
| 103801 | ½" | | 75,80 |
| 103802 | ¾" | | 123,70 |
| 103803 | 1" | | 173,00 |
| 103804 | 1¼" | | 300,00 |
| 103805 | 1½" | | 474,50 |
| 103806 | 2" | | 691,50 |
| 103807 | 2½" | | 1.325,00 |
| 103808 | 3" | | 1.695,00 |
| 103809 | 4" | | 2.990,00 |

SİYAH NİPEL



| KODU | ÖLÇÜ | KOLİ ADET | FİYAT |
|--------|------|--------------|----------|
| 103901 | ½" | | 49,50 |
| 103902 | ¾" | | 61,50 |
| 103903 | 1" | | 84,00 |
| 103904 | 1¼" | | 150,50 |
| 103905 | 1½" | | 176,30 |
| 103906 | 2" | | 300,80 |
| 103907 | 2½" | | 442,50 |
| 103908 | 3" | | 631,50 |
| 103909 | 4" | | 1.160,00 |

GALVANİZ NİPEL



| KODU | ÖLÇÜ | KOLİ ADET | FİYAT |
|--------|------|--------------|----------|
| 104001 | ½" | | 57,00 |
| 104002 | ¾" | | 71,00 |
| 104003 | 1" | | 96,70 |
| 104004 | 1¼" | | 173,20 |
| 104005 | 1½" | | 202,50 |
| 104006 | 2" | | 346,00 |
| 104007 | 2½" | | 508,50 |
| 104008 | 3" | | 726,00 |
| 104009 | 4" | | 1.335,00 |



SİYAH KONİK REKOR



| KODU | ÖLÇÜ | KOLİ ADET | FİYAT |
|--------|--------|--------------|----------|
| 104101 | 1/2" | | 232,20 |
| 104102 | 3/4" | | 249,40 |
| 104103 | 1" | | 296,70 |
| 104104 | 1 1/4" | | 507,00 |
| 104105 | 1 1/2" | | 589,00 |
| 104106 | 2" | | 855,50 |
| 104107 | 2 1/2" | | 1.526,30 |
| 104108 | 3" | | 1.912,50 |
| 104109 | 4" | | 3.652,50 |

GALVANİZ KONİK REKOR



| KODU | ÖLÇÜ | KOLİ ADET | FİYAT |
|--------|--------|--------------|----------|
| 104201 | 1/2" | | 267,00 |
| 104202 | 3/4" | | 287,00 |
| 104203 | 1" | | 341,20 |
| 104204 | 1 1/4" | | 583,20 |
| 104205 | 1 1/2" | | 677,20 |
| 104206 | 2" | | 988,50 |
| 104207 | 2 1/2" | | 1.755,00 |
| 104208 | 3" | | 2.200,00 |
| 104209 | 4" | | 4.200,00 |

SİYAH KUYRUKLU DİRSEK



| KODU | ÖLÇÜ | KOLİ ADET | FİYAT |
|--------|--------|--------------|----------|
| 104701 | 1/2" | | 56,30 |
| 104702 | 3/4" | | 81,80 |
| 104703 | 1" | | 137,70 |
| 104704 | 1 1/4" | | 236,30 |
| 104705 | 1 1/2" | | 348,00 |
| 104706 | 2" | | 430,50 |
| 104707 | 2 1/2" | | 1.240,00 |
| 104708 | 3" | | 1.611,50 |
| 104709 | 4" | | 2.664,00 |

GALVANİZ KUYRUKLU DİRSEK



| KODU | ÖLÇÜ | KOLİ ADET | FİYAT |
|--------|--------|--------------|----------|
| 104801 | 1/2" | | 65,00 |
| 104802 | 3/4" | | 94,20 |
| 104803 | 1" | | 159,00 |
| 104804 | 1 1/4" | | 272,00 |
| 104805 | 1 1/2" | | 400,50 |
| 104806 | 2" | | 495,00 |
| 104807 | 2 1/2" | | 1.426,30 |
| 104808 | 3" | | 1.852,50 |
| 104809 | 4" | | 3.065,00 |

SİYAH KÖR TAPA

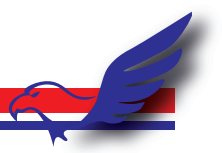


| KODU | ÖLÇÜ | KOLİ ADET | FİYAT |
|--------|--------|--------------|--------|
| 104501 | 1/2" | | 30,50 |
| 104502 | 3/4" | | 44,00 |
| 104503 | 1" | | 52,00 |
| 104504 | 1 1/4" | | 90,00 |
| 104505 | 1 1/2" | | 110,00 |
| 104506 | 2" | | 195,00 |
| 104507 | 2 1/2" | | 380,00 |
| 104508 | 3" | | 509,00 |
| 104509 | 4" | | 625,50 |

GALVANİZ KÖR TAPA



| KODU | ÖLÇÜ | KOLİ ADET | FİYAT |
|--------|--------|--------------|--------|
| 104601 | 1/2" | | 35,20 |
| 104602 | 3/4" | | 50,00 |
| 104603 | 1" | | 60,00 |
| 104604 | 1 1/4" | | 104,00 |
| 104605 | 1 1/2" | | 126,30 |
| 104606 | 2" | | 225,00 |
| 104607 | 2 1/2" | | 436,30 |
| 104608 | 3" | | 585,00 |
| 104609 | 4" | | 720,00 |



SİYAH REDÜKSİYON

| KODU | ÖLÇÜ | KOLİ ADET | FİYAT |
|--------|----------|--------------|--------|
| 104301 | ¾"x ½" | | 49,50 |
| 104302 | 1"x ½" | | 62,40 |
| 104303 | 1"x ¾" | | 61,50 |
| 104304 | 1¼"x ½" | | 118,30 |
| 104305 | 1¼"x ¾" | | 103,30 |
| 104306 | 1¼"x 1" | | 83,90 |
| 104307 | 1½"x ½" | | 156,50 |
| 104308 | 1½"x ¾" | | 173,70 |
| 104309 | 1½"x 1" | | 128,70 |
| 104310 | 1½"x 1¼" | | 122,90 |
| 104311 | 2"x ½" | | 268,20 |
| 104312 | 2"x ¾" | | 262,50 |
| 104313 | 2"x 1" | | 254,20 |
| 104314 | 2"x 1¼" | | 240,30 |
| 104315 | 2"x 1½" | | 223,50 |
| 104316 | 2½"x 1" | | 480,50 |
| 104317 | 2½"x 1¼" | | 452,50 |
| 104318 | 2½"x 1½" | | 441,40 |
| 104319 | 2½"x 2" | | 391,20 |
| 104323 | 3"x 2" | | 570,00 |
| 104324 | 3"x 2½" | | 543,00 |
| 104325 | 4"x 2" | | 855,00 |
| 104326 | 4"x 2½" | | 838,50 |
| 104327 | 4"x 3" | | 826,50 |
| 104328 | 5"x 3" | | |
| 104329 | 5"x 4" | | |

GALVANİZ REDÜKSİYON

| KODU | ÖLÇÜ | KOLİ ADET | FİYAT |
|--------|----------|--------------|--------|
| 104401 | ¾"x ½" | | 56,90 |
| 104402 | 1"x ½" | | 71,80 |
| 104403 | 1"x ¾" | | 70,80 |
| 104404 | 1¼"x ½" | | 136,00 |
| 104405 | 1¼"x ¾" | | 118,80 |
| 104406 | 1¼"x 1" | | 96,50 |
| 104407 | 1½"x ½" | | 180,00 |
| 104408 | 1½"x ¾" | | 199,50 |
| 104409 | 1½"x 1" | | 148,00 |
| 104410 | 1½"x 1¼" | | 141,40 |
| 104411 | 2"x ½" | | 308,30 |
| 104412 | 2"x ¾" | | 301,90 |
| 104413 | 2"x 1" | | 292,30 |
| 104414 | 2"x 1¼" | | 276,30 |
| 104415 | 2"x 1½" | | 257,20 |
| 104416 | 2½"x 1" | | 552,70 |
| 104417 | 2½"x 1¼" | | 520,30 |
| 104418 | 2½"x 1½" | | 507,70 |
| 104419 | 2½"x 2" | | 450,00 |
| 104423 | 3"x 2" | | 655,50 |
| 104424 | 3"x 2½" | | 624,00 |
| 104425 | 4"x 2" | | 984,00 |
| 104426 | 4"x 2½" | | 964,50 |
| 104427 | 4"x 3" | | 951,00 |
| 104428 | 5"x 3" | | |
| 104429 | 5"x 4" | | |

SİYAH MANŞON



| KODU | ÖLÇÜ | KOLİ ADET | FİYAT |
|--------|--------|-----------|--------|
| 105801 | 1/2" | | 25,60 |
| 105802 | 3/4" | | 33,00 |
| 105803 | 1" | | 48,00 |
| 105804 | 1 1/4" | | 60,00 |
| 105805 | 1 1/2" | | 67,60 |
| 105806 | 2" | | 173,00 |
| 105807 | 2 1/2" | | 233,20 |
| 105808 | 3" | | 301,40 |
| 105809 | 4" | | 420,20 |
| 105810 | 5" | | 528,00 |
| 105811 | 6" | | 605,00 |

GALVANİZ MANŞON



| KODU | ÖLÇÜ | KOLİ ADET | FİYAT |
|--------|--------|-----------|--------|
| 105901 | 1/2" | | 29,40 |
| 105902 | 3/4" | | 38,00 |
| 105903 | 1" | | 55,30 |
| 105904 | 1 1/4" | | 69,70 |
| 105905 | 1 1/2" | | 88,60 |
| 105906 | 2" | | 189,80 |
| 105907 | 2 1/2" | | 262,00 |
| 105908 | 3" | | 348,00 |
| 105909 | 4" | | 487,10 |
| 105910 | 5" | | 620,00 |
| 105911 | 6" | | 727,50 |

PATENT DİRSEK (Dikişli)



| ÖLÇÜ | 1/2" | 3/4" | 1" | 1 1/4" | 1 1/2" | 2" | 2 1/2" | 3" |
|-------|--------|--------|--------|--------|--------|--------|--------|--------|
| KOD | 106001 | 106002 | 106003 | 106004 | 106005 | 106006 | 106007 | 106008 |
| FİYAT | 69,00 | 69,00 | 78,00 | 114,00 | 141,00 | 180,00 | 312,00 | 414,00 |

| ÖLÇÜ | 4" | 5" | 6" | 8" | 10" | 12" |
|-------|--------|----------|----------|----------|----------|-----------|
| KOD | 106009 | 106010 | 106011 | 106012 | 106013 | 106014 |
| FİYAT | 765,00 | 1.320,00 | 1.830,00 | 3.600,00 | 9.600,00 | 16.500,00 |

TEFLON BANT



| KODU | UZUNLUK (mt) | PAKET ADET | FİYAT |
|--------|----------------|------------|---------------|
| 210101 | 10 mt | 250 | Fiyat Sorunuz |
| 210105 | 40 mt | 250 | Fiyat Sorunuz |



KÜRESEL VANA PN16 TSE



| KODU | ÖLÇÜ | KOLİ ADET | FİYAT |
|--------|------|-----------|-----------|
| 110101 | ½" | 100 | 459,00 |
| 110102 | ¾" | 60 | 672,00 |
| 110103 | 1" | 40 | 1.077,00 |
| 110104 | 1¼" | 25 | 1.862,00 |
| 110105 | 1½" | 20 | 2.723,00 |
| 110106 | 2" | 15 | 3.440,00 |
| 110107 | 2½" | 8 | 6.789,00 |
| 110108 | 3" | 4 | 9.753,00 |
| 110109 | 4" | 4 | 16.088,00 |

KÜRESEL VANA EKONOMİK



| KODU | ÖLÇÜ | KOLİ ADET | FİYAT |
|--------|------|-----------|-----------|
| 110601 | ½" | 80 | 430,00 |
| 110602 | ¾" | 60 | 520,00 |
| 110603 | 1" | 60 | 967,50 |
| 110604 | 1¼" | 30 | 1.550,00 |
| 110605 | 1½" | 20 | 2.535,00 |
| 110606 | 2" | 15 | 3.387,00 |
| 110607 | 2½" | 8 | 6.018,00 |
| 110608 | 3" | 4 | 8.991,00 |
| 110609 | 4" | 4 | 13.136,00 |

YAYLI KLEPE



| KODU | ÖLÇÜ | KOLİ ADET | FİYAT |
|--------|------|-----------|----------|
| 111301 | ¾" | 150 | 300,00 |
| 111302 | 1" | 100 | 365,00 |
| 111303 | 1¼" | 70 | 558,00 |
| 111304 | 1½" | 45 | 623,00 |
| 111305 | 2" | 25 | 995,00 |
| 111306 | 2½" | 20 | 1.673,00 |
| 111307 | 3" | 10 | 2.358,00 |
| 111308 | 4" | 4 | 3.513,00 |

YAYLI DİK ÇEKVALF



| KODU | ÖLÇÜ | KOLİ ADET | FİYAT |
|--------|------|-----------|-----------|
| 111701 | ½" | 150 | 530,00 |
| 111702 | ¾" | 100 | 657,00 |
| 111703 | 1" | 60 | 825,00 |
| 111704 | 1¼" | 50 | 1.364,00 |
| 111705 | 1½" | 35 | 1.715,00 |
| 111706 | 2" | 25 | 2.334,00 |
| 111707 | 2½" | 12 | 4.685,00 |
| 111708 | 3" | 6 | 6.425,00 |
| 111709 | 4" | 2 | 12.695,00 |

ÇALPARALI ÇEKVALF



| KODU | ÖLÇÜ | KOLİ ADET | FİYAT |
|--------|------|-----------|-----------|
| 111501 | ½" | 150 | 551,00 |
| 111502 | ¾" | 100 | 660,00 |
| 111503 | 1" | 60 | 942,00 |
| 111504 | 1¼" | 50 | 1.511,00 |
| 111505 | 1½" | 35 | 1.971,00 |
| 111506 | 2" | 25 | 2.591,00 |
| 111507 | 2½" | 12 | 4.838,00 |
| 111508 | 3" | 6 | 5.499,00 |
| 111509 | 4" | 4 | 11.235,00 |

SARI VANTUZ



| KODU | ÖLÇÜ | KOLİ ADET | FİYAT |
|--------|------|-----------|----------|
| 111901 | 1" | 60 | 849,00 |
| 111902 | 1¼" | 40 | 1.265,00 |
| 111903 | 1½" | 30 | 1.479,00 |
| 111904 | 2" | 20 | 1.886,00 |

ALÜMİNYUM KAMLOK



| KODU | ÖLÇÜ | TİPİ | FİYAT |
|--------|------|------|--------|
| 108205 | 1½" | B | 350,00 |
| 108206 | 2" | B | 430,00 |
| 108207 | 2½" | B | 700,00 |

ALÜMİNYUM KAMLOK



| KODU | ÖLÇÜ | TİPİ | FİYAT |
|--------|------|------|----------|
| 108405 | 1½" | D | 700,00 |
| 108406 | 2" | D | 900,00 |
| 108407 | 2½" | D | 1.050,00 |



KARTAL YAĞMURLAMA BAŞLIĞI

| KODU | ÖLÇÜ ve ÖZELLİKLERİ | KOLİ ADET | FİYAT |
|--------|---------------------|-----------|-----------|
| 151903 | SU GİRİŞ ÖLÇÜSÜ 2½" | 1 | 25.000,00 |



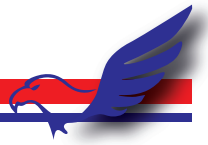
KARTAL YAĞMURLAMA BAŞLIĞI TAKIM SET

| KODU | ÖLÇÜ ve ÖZELLİKLERİ | KOLİ ADET | FİYAT |
|--------|--|-----------|-----------|
| 151902 | SU GİRİŞ ÖLÇÜSÜ 2½" (Sehpa + Bağ.Kamlıklar) | 1 | 33.000,00 |

TEKNİK ÖZELLİKLER

| Meme Çapı mm | Basınç bar | Bir Turu Dönüş Zamanı sn | En Uzak Atış Mesafesi Yarıçap (mt) | Debi m ³ /h | Yağmurlama Derinliği mm/h |
|--------------|------------|--------------------------|------------------------------------|------------------------|---------------------------|
| 16 | 3 | 172 | 24 | 16.93 | 11.14 |
| | 4 | 160 | 26 | 19.14 | 11.46 |
| | 5 | 159 | 28 | 23.12 | 11.78 |
| | 6 | 158 | 30 | 25.68 | 12.10 |
| 18 | 3 | 167 | 30 | 22.30 | 10.51 |
| | 4 | 156 | 32 | 24.78 | 10.82 |
| | 5 | 150 | 34 | 27.44 | 11.14 |
| | 6 | 147 | 36 | 32.40 | 11.46 |
| 20 | 3 | 128 | 34 | 30.22 | 16.71 |
| | 4 | 115 | 36 | 35.82 | 16.88 |
| | 5 | 110 | 38 | 42.33 | 17.20 |
| | 6 | 110 | 40 | 49.05 | 17.35 |
| 22 | 4 | 147 | 38 | 35.12 | 16.56 |
| | 5 | 136 | 40 | 41.55 | 16.88 |
| | 6 | 124 | 42 | 48.60 | 17.19 |
| | 7 | 121 | 45 | 52.85 | 17.51 |

Bu değerler "0" rüzgar koşullarında maksimum atış mesafesini göstermektedir.



4 AYAKLI MANDALLI SEHPA



| KODU | BOY cm | ÖZELLİKLER ÖLÇÜ | ADET | FİYAT |
|--------|--------|--|------|----------|
| 151803 | 125 cm | SU GİRİŞ ÖLÇÜ 2½" SU ÇIKIŞ ÖLÇÜ 2½" | 1 | 6.000,00 |

3 AYAKLI L TİPİ SEHPA



| KODU | BOY cm | ÖZELLİKLER ÖLÇÜ | ADET | FİYAT |
|--------|--------|--|------|----------|
| 151802 | 70 cm | SU GİRİŞ ÖLÇÜ 2½" SU ÇIKIŞ ÖLÇÜ 2½" | 1 | 5.800,00 |

ALÜMİNYUM KAMLOK



| KODU | ÖLÇÜ | TİPİ | FİYAT |
|--------|------|------|--------|
| 108207 | 2½" | B | 700,00 |

ALÜMİNYUM KAMLOK



| KODU | ÖLÇÜ | TİPİ | FİYAT |
|--------|------|------|----------|
| 108407 | 2½" | D | 1.050,00 |



ALBATROS YAĞMURLAMA BAŞLIĞI

| KODU | ÖLÇÜ ve ÖZELLİKLERİ | KOLİ ADET | FİYAT |
|--------|-------------------------------|--------------|-----------|
| 151924 | SU GİRİŞ ÖLÇÜSÜ 2½" (75mm) | 1 | 35.000,00 |



TEKNİK ÖZELLİKLER

| NOZUL ÇAP mm | ÇALIŞMA BASINCI (Bar) | DEBİ m ³ /h | EN UZAK ATIŞ MESAFESİ Yarıçap (mt) |
|-----------------|-------------------------------|---------------------------|--|
| 28 | 4 | 63.7 | 49.5 |
| | 5 | 71.3 | 52 |
| | 6 | 78 | 56 |
| | 7 | 84 | 59.5 |
| 30 | 4 | 72.4 | 50 |
| | 5 | 81 | 54 |
| | 6 | 88.7 | 58 |
| | 7 | 95.6 | 62.5 |
| 32 | 4 | 81.7 | 52 |
| | 5 | 91.3 | 56 |
| | 6 | 100 | 59.5 |
| | 7 | 107.9 | 63 |
| 34 | 5 | 102.5 | 57.5 |
| | 6 | 112.3 | 61 |
| | 7 | 121 | 64.5 |
| | 8 | 129.7 | 68 |
| 36 | 5 | 115 | 59.5 |
| | 6 | 124.5 | 63 |
| | 7 | 135 | 67.5 |
| | 8 | 144 | 72 |

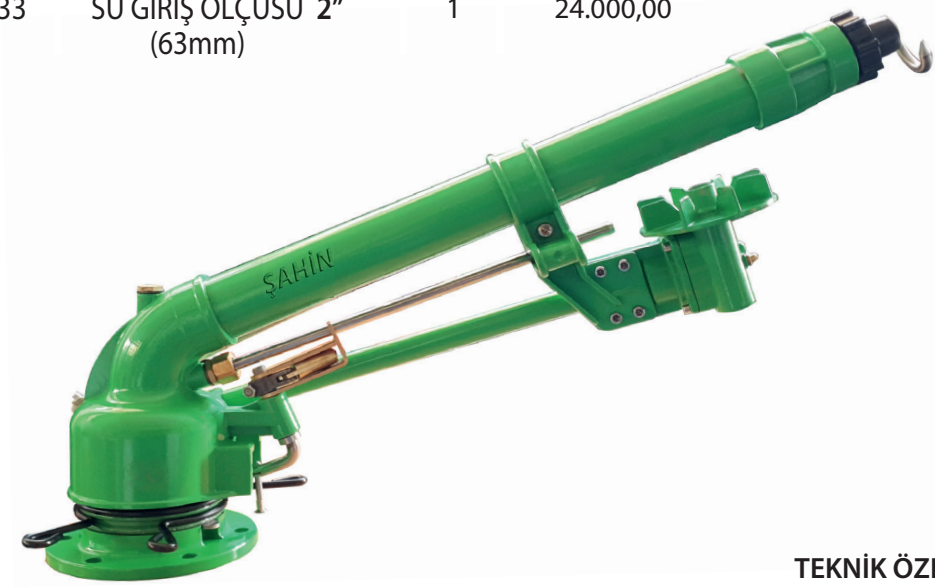
Bu değerler "0" rüzgar koşullarında maksimum atış mesafesini göstermektedir.



ŞAHİN YAĞMURLAMA BAŞLIĞI

| KODU | ÖLÇÜ ve ÖZELLİKLERİ | KOLİ ADET | FİYAT |
|------|---------------------|-----------|-------|
|------|---------------------|-----------|-------|

| | | | |
|--------|------------------------------|---|-----------|
| 151933 | SU GİRİŞ ÖLÇÜSÜ 2" (63mm) | 1 | 24.000,00 |
|--------|------------------------------|---|-----------|



TEKNİK ÖZELLİKLER

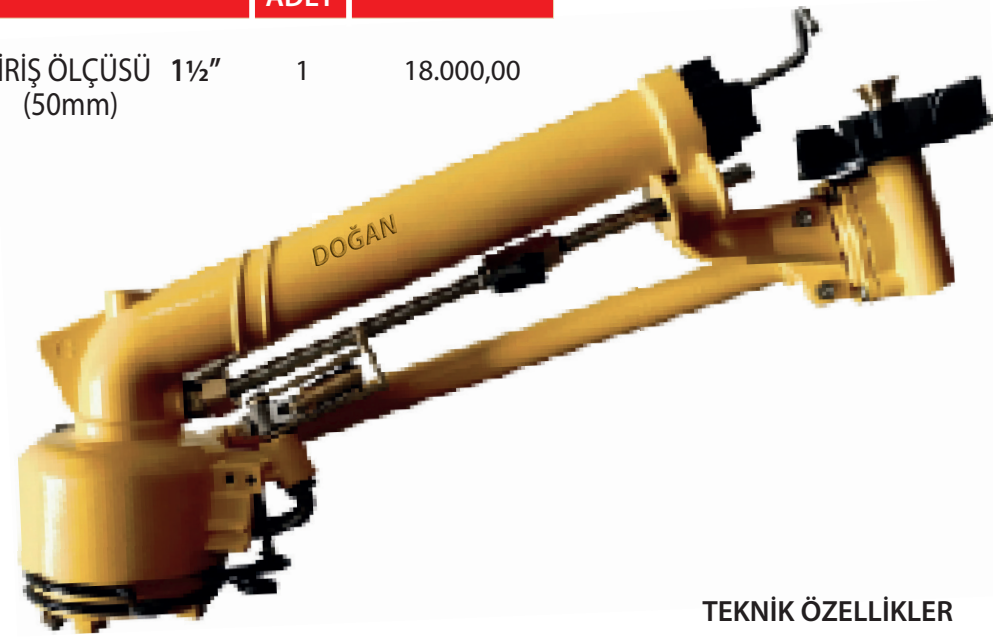
| NOZUL ÇAPİ mm | ÇALIŞMA BASINCI (Bar) | DEBİ m ³ /h | EN UZAK ATIŞ MESAFESİ Yarıçap (mt) |
|------------------|-------------------------------|---------------------------|--|
| 18 | 2 | 20.5 | 27 |
| | 3 | 25.1 | 34 |
| | 4 | 29 | 39 |
| | 5 | 32.5 | 43 |
| 20 | 2 | 24.6 | 29 |
| | 3 | 30 | 35 |
| | 4 | 34.8 | 41 |
| 22 | 5 | 38.9 | 45 |
| | 2 | 29 | 31 |
| | 3 | 35.4 | 37 |
| | 4 | 41 | 42 |
| 24 | 5 | 45.9 | 47 |
| | 3 | 41.4 | 38 |
| | 4 | 48 | 44 |
| | 5 | 53.7 | 49 |
| 26 | 6 | 58.8 | 52 |
| | 3 | 48 | 42 |
| | 4 | 55.5 | 47 |
| | 5 | 62.2 | 51 |
| | 6 | 68.1 | 54 |

Bu değerler "0" rüzgar koşullarında maksimum atış mesafesini göstermektedir.



DOĞAN YAĞMURLAMA BAŞLIĞI

| KODU | ÖLÇÜ ve ÖZELLİKLERİ | KOLİ ADET | FİYAT |
|--------|-------------------------------|--------------|-----------|
| 151921 | SU GİRİŞ ÖLÇÜSÜ 1½" (50mm) | 1 | 18.000,00 |



TEKNİK ÖZELLİKLER

| NOZUL ÇAPI mm | ÇALIŞMA BASINCI (Bar) | DEBİ m ³ /h | EN UZAK ATIŞ MESAFESİ Yarıçap (mt) |
|------------------|-------------------------------|---------------------------|--|
| 12 | 2 | 9.5 | 22 |
| | 3 | 11.6 | 25 |
| | 4 | 13.4 | 28 |
| | 5 | 15.1 | 31 |
| 14 | 2 | 11.7 | 24 |
| | 3 | 15 | 27 |
| | 4 | 17.4 | 30 |
| | 5 | 19.4 | 33 |
| 16 | 2 | 15.4 | 26 |
| | 3 | 18.9 | 29 |
| | 4 | 21.8 | 32 |
| | 5 | 24.3 | 35 |
| 18 | 2 | 19 | 28 |
| | 3 | 24.2 | 31 |
| | 4 | 28.3 | 34 |
| | 5 | 31.3 | 37 |
| 20 | 3 | 21.2 | 30 |
| | 4 | 29.4 | 33 |
| | 5 | 34.3 | 37 |
| | 6 | 37 | 41 |

Bu değerler "0" rüzgar koşullarında maksimum atış mesafesini göstermektedir.



ATMACA YAĞMURLAMA BAŞLIĞI

| KODU | ÖLÇÜ ve ÖZELLİKLERİ | KOLİ ADET | FİYAT |
|--------|-------------------------------|-----------|----------|
| 151901 | SU GİRİŞ ÖLÇÜSÜ 1½" (50mm) | 10 | 3.500,00 |



TEKNİK ÖZELLİKLER

| Meme Çapı mm | Basınç bar | Bir Turu Dönüş Zamanı sn | En Uzak Atış Mesafesi Yarıçap (mt) | Debi m ³ /h | Yağmurlama Derinliği mm/h |
|--------------|------------|--------------------------|------------------------------------|------------------------|---------------------------|
| 10 | 2 | 72 | 17 | 8.18 | 10.19 |
| | 2.5 | 77 | 18 | 8.69 | 10.83 |
| | 3 | 81 | 19 | 10.40 | 11.47 |
| | 3.5 | 85 | 20 | 10.98 | 12.11 |
| 12 | 2 | 72 | 20 | 10.68 | 10.50 |
| | 2.5 | 75 | 21 | 10.91 | 10.72 |
| | 3 | 82 | 22 | 12.40 | 10.94 |
| | 3.5 | 78 | 23 | 14.21 | 11.31 |
| 14 | 2 | 60 | 21 | 10.84 | 10.65 |
| | 2.5 | 63 | 23 | 13.40 | 10.66 |
| | 3 | 68 | 25 | 16.44 | 10.82 |
| | 3.5 | 70 | 26 | 18.24 | 10.92 |
| 16 | 2 | 75 | 24 | 13.58 | 10.82 |
| | 2.5 | 78 | 26 | 16.67 | 10.98 |
| | 3 | 81 | 28 | 18.50 | 11.14 |
| | 3.5 | 79 | 30 | 18.76 | 11.30 |

Bu değerler "0" rüzgar koşullarında maksimum atış mesafesini göstermektedir.



MARTI YAĞMURLAMA BAŞLIĞI

| KODU | ÖLÇÜ ve ÖZELLİKLERİ | KOLİ ADET | FİYAT |
|--------|-------------------------------|-----------|----------|
| 151934 | SU GİRİŞ ÖLÇÜSÜ 1½" (50mm) | 10 | 3.300,00 |



TEKNİK ÖZELLİKLER

| Nozul Çapı mm | Basınç bar | Debi m ³ /h | Menzil Mesafesi |
|---------------|------------|------------------------|-----------------|
| 10 | 2 | 7.8 | 18 |
| | 3 | 9.5 | 21 |
| | 4 | 11 | 23 |
| | 5 | 12.4 | 24.5 |
| 12 | 2 | 9.1 | 20 |
| | 3 | 10.9 | 24 |
| | 4 | 12.6 | 27 |
| | 5 | 14.1 | 30 |
| 14 | 2 | 11.7 | 21 |
| | 3 | 14.3 | 25 |
| | 4 | 16.6 | 29 |
| | 5 | 18.5 | 31 |
| 16 | 2 | 14.8 | 22 |
| | 3 | 18.2 | 26 |
| | 4 | 21 | 30 |
| | 5 | 23.4 | 33 |
| 18 | 3 | 22.7 | 28 |
| | 4 | 26.2 | 31 |
| | 5 | 29.2 | 34 |
| | 6 | 31.9 | 36 |

Bu değerler "0" rüzgar koşullarında maksimum atış mesafesini göstermektedir.



1453 AÇILI YAĞMURLAMA BAŞLIĞI PVC



| KODU | ÖLÇÜ ve ÖZELLİKLERİ | KOLİ ADET | FİYAT |
|--------------------------------|-----------------------|-----------|----------|
| 151605 | Su Giriş Ölçüsü 1½" | 10 | 1.300,00 |
| Çalışma Basıncı | 2 - 5 Bar | | |
| Ortalama Su Tüketimi (1-sa) | 5 - 25 m ³ | | |
| Su Atış Menzili (Yarıçap) mt | 20 - 29 | | |

JUNİOR AÇILI YAĞMURLAMA BAŞLIĞI PVC



| KODU | ÖLÇÜ ve ÖZELLİKLERİ | KOLİ ADET | FİYAT |
|--------------------------------|-----------------------|-----------|--------|
| 151606 | Su Giriş Ölçüsü 1" | 50 | 850,00 |
| Çalışma Basıncı | 2 - 5 Bar | | |
| Ortalama Su Tüketimi (1-sa) | 5 - 10 m ³ | | |
| Su Atış Menzili (Yarıçap) mt | 13 - 20 | | |

GRİ SPRİNK



| KODU | ÖLÇÜ ve ÖZELLİKLERİ | KOLİ ADET | FİYAT |
|--------------------------------|---------------------------|-----------|--------|
| 151503 | Su Giriş Ölçüsü 1" | 50 | 180,00 |
| Çalışma Basıncı | 2 - 4 Bar | | |
| Ortalama Su Tüketimi (1-sa) | 1.54 - 3.9 m ³ | | |
| Su Atış Menzili (Yarıçap) mt | 12 - 18 | | |

AÇILI MİNİ SPRİNK



| KODU | ÖLÇÜ ve ÖZELLİKLERİ | KOLİ ADET | FİYAT |
|--------------------------------|----------------------------|-----------|--------|
| 151502 | Su Giriş Ölçüsü ½" | 100 | 230,00 |
| Çalışma Basıncı | 1.5 - 3 Bar | | |
| Ortalama Su Tüketimi (1-sa) | 0.52 - 0.74 m ³ | | |
| Su Atış Menzili (Yarıçap) mt | 9.5 - 11 | | |
| Nozul Çapı | 3 mm | | |

AÇISIZ SPRİNK



| KODU | ÖLÇÜ ve ÖZELLİKLERİ | KOLİ ADET | FİYAT |
|--------------------------------|-------------------------|-----------|--------|
| 151501 | Su Giriş Ölçüsü ¾" | 10 | 200,00 |
| Çalışma Basıncı | 2 - 3 Bar | | |
| Ortalama Su Tüketimi (1-sa) | 1.75 - 3 m ³ | | |
| Su Atış Menzili (Yarıçap) mt | 9 - 14 | | |



3 AYAKLI MANDALLI SEHPA



| KODU | BOY (cm) | ÖLÇÜ (inç) | ADET | FİYAT |
|--------|----------|---------------------|------|----------|
| 151801 | 80 | Su Giriş Ölçüsü 1½" | 1 | 3.200,00 |
| 151810 | 180 | Su Giriş Ölçüsü 1½" | 1 | 5.300,00 |

4 AYAKLI MANDALLI SEHPA



| KODU | BOY (cm) | ÖLÇÜ (inç) | ADET | FİYAT |
|--------|----------|--------------------|------|----------|
| 151808 | 150 | Su Giriş Ölçüsü 2" | 1 | 5.700,00 |

4 AYAKLI MAKASLI AYARLANABİLİR MANDALLI SEHPA



| KODU | BOY (cm) | ÖLÇÜ (inç) | ADET | FİYAT |
|--------|----------|--------------------|------|----------|
| 151804 | 175 | Su Giriş Ölçüsü 2" | 1 | 7.500,00 |



MANDALLI DİŞİ BAŞLIK



| KODU | ÖLÇÜ (MM) | FİYAT |
|--------|-----------|--------|
| 151001 | 50 | 33,00 |
| 151002 | 63 | 33,00 |
| 151003 | 75 | 35,00 |
| 151004 | 90 | 66,00 |
| 151005 | 110 | 126,00 |
| 151006 | 125 | 225,00 |
| 151007 | 140 | 250,00 |
| 151008 | 160 | 375,00 |

MANDALLI ERKEK BAŞLIK



| KODU | ÖLÇÜ (MM) | FİYAT |
|--------|-----------|--------|
| 151101 | 50 | 68,00 |
| 151102 | 63 | 68,00 |
| 151103 | 75 | 80,00 |
| 151104 | 90 | 115,00 |
| 151105 | 110 | 175,00 |
| 151106 | 125 | 325,00 |
| 151107 | 140 | 375,00 |
| 151108 | 160 | 575,00 |

MANDALLI KÖR TAPA DİŞİ



| KODU | ÖLÇÜ (MM) | FİYAT |
|--------|-----------|--------|
| 150701 | 50 | 38,00 |
| 150702 | 63 | 38,00 |
| 150703 | 75 | 43,00 |
| 150704 | 90 | 78,00 |
| 150705 | 110 | 150,00 |
| 150706 | 125 | 275,00 |
| 150707 | 140 | 325,00 |
| 150708 | 160 | 450,00 |

MANDALLI KÖR TAPA ERKEK



| KODU | ÖLÇÜ (MM) | FİYAT |
|--------|-----------|--------|
| 150601 | 50 | 75,00 |
| 150602 | 63 | 75,00 |
| 150603 | 75 | 90,00 |
| 150604 | 90 | 125,00 |
| 150605 | 110 | 195,00 |
| 150606 | 125 | 350,00 |
| 150607 | 140 | 425,00 |
| 150608 | 160 | 625,00 |

MANDALLI BORU CONTASI



| KODU | ÖLÇÜ (MM) | FİYAT |
|--------|-----------|-------|
| 151401 | 50 | 9,00 |
| 151402 | 63 | 10,00 |
| 151403 | 75 | 11,00 |
| 151404 | 90 | 17,00 |
| 151405 | 110 | 21,00 |
| 151406 | 125 | 30,00 |
| 151407 | 140 | 40,00 |
| 151408 | 160 | 45,00 |

MANDALLI REDÜKSİYON



| KODU | ÖLÇÜ (MM) | FİYAT |
|--------|-----------|--------|
| 150901 | 75 x 63 | 250,00 |
| 150903 | 90 x 75 | 310,00 |
| 150904 | 110 x 75 | 375,00 |
| 150905 | 110 x 90 | 425,00 |
| 150908 | 125 x 110 | 675,00 |

**MANDALLI DİRSEK**

| KODU | ÖLÇÜ (MM) | FİYAT |
|--------|-----------|--------|
| 150402 | 63 | 210,00 |
| 150403 | 75 | 230,00 |
| 150404 | 90 | 350,00 |
| 150405 | 110 | 500,00 |
| 150406 | 125 | 824,00 |

MANDALLI HAT VANASI

| KODU | ÖLÇÜ (MM) | FİYAT |
|--------|-----------|----------|
| 150302 | 63 | 425,00 |
| 150303 | 75 | 500,00 |
| 150304 | 90 | 800,00 |
| 150305 | 110 | 1.250,00 |
| 150306 | 125 | 2.000,00 |

MANDALLI TE

| KODU | ÖLÇÜ (MM) | FİYAT |
|--------|-----------|----------|
| 150802 | 63 x 63 | 250,00 |
| 150803 | 75 x 63 | 275,00 |
| 150804 | 75 x 75 | 290,00 |
| 150806 | 90 x 75 | 429,00 |
| 150807 | 90 x 90 | 450,00 |
| 150808 | 110 x 75 | 625,00 |
| 150809 | 110 x 90 | 660,00 |
| 150810 | 110 x 110 | 725,00 |
| 150812 | 125 x 75 | 950,00 |
| 150813 | 125 x 90 | 980,00 |
| 150814 | 125 x 110 | 1.040,00 |
| 150815 | 125 x 125 | 1.150,00 |

MANDALLI İSTAVROZ

| KODU | ÖLÇÜ (MM) | FİYAT |
|--------|-----------|----------|
| 150500 | 63 x 63 | 290,00 |
| 150501 | 75 x 63 | 320,00 |
| 150502 | 75 x 75 | 350,00 |
| 150504 | 90 x 75 | 480,00 |
| 150505 | 90 x 90 | 525,00 |
| 150506 | 110 x 75 | 680,00 |
| 150507 | 110 x 90 | 750,00 |
| 150508 | 110 x 110 | 875,00 |
| 150510 | 125 x 75 | 1.000,00 |
| 150511 | 125 x 90 | 1.060,00 |
| 150512 | 125 x 110 | 1.175,00 |
| 150513 | 125 x 125 | 1.400,00 |

MANDALLI ABOT

| KODU | ÖLÇÜ (MM) | FİYAT |
|--------|-----------|--------|
| 150202 | 63 | 135,00 |
| 150203 | 75 | 150,00 |
| 150204 | 90 | 234,00 |
| 150205 | 110 | 315,00 |

SPRİNK VANASI

| KODU | ÖLÇÜ (MM) | FİYAT |
|--------|-----------|-------|
| 151504 | 32 | 48,00 |

PVC UZATMA BORUSU

| KODU | ÜRÜN | ÖLÇÜ (cm) | FİYAT |
|--------|-------|-----------|--------|
| 151302 | BEYAZ | 32 x 33 | 33,00 |
| 151303 | BEYAZ | 32 x 50 | 50,00 |
| 151304 | BEYAZ | 32 x 60 | 60,00 |
| 151305 | BEYAZ | 32 x 70 | 70,00 |
| 151306 | BEYAZ | 32 x 80 | 80,00 |
| 151307 | BEYAZ | 32 x 100 | 100,00 |



KURTAĞZI MİNİ VANA

| KOD | ÖLÇÜ | PAKET | FİYAT |
|-----|-------|-------|-------|
| 251 | 16x16 | 100 | 10,10 |
| 230 | 20x20 | 100 | 12,85 |



CONTA ÇIKIŞLI MİNİ VANA

| KOD | ÖLÇÜ | PAKET | FİYAT |
|-----|-------|-------|-------|
| 252 | 17x16 | 100 | 10,10 |
| 231 | 20x19 | 100 | 12,85 |



DIŞ DIŞLİ MİNİ VANA

| KOD | ÖLÇÜ | PAKET | FİYAT |
|-----|---------------------|-------|-------|
| 253 | 16x $\frac{1}{2}$ " | 100 | 10,10 |
| 232 | 20x $\frac{1}{2}$ " | 100 | 10,10 |
| 233 | 20x $\frac{3}{4}$ " | 100 | 12,85 |



VİDALI KURTAĞZI MİNİ VANA

| KOD | ÖLÇÜ | PAKET | FİYAT |
|-----|-------|-------|-------|
| 260 | 17x16 | 100 | 12,85 |



SOMUNLU CONTA ÇIKIŞ MİNİ VANA

| KOD | ÖLÇÜ | PAKET | FİYAT |
|-----|-------|-------|-------|
| 254 | 17x16 | 100 | 12,85 |



YÜZÜKLÜ CONTA ÇIKIŞ MİNİ VANA

| KOD | ÖLÇÜ | PAKET | FİYAT |
|-----|-------|-------|-------|
| 255 | 17x16 | 100 | 11,00 |



YÜZÜKLÜ KURTAĞZI MİNİ VANA

| KOD | ÖLÇÜ | PAKET | FİYAT |
|-----|-------|-------|-------|
| 250 | 17x16 | 100 | 11,00 |



SOMUNLU MİNİ VANA

| KOD | ÖLÇÜ | PAKET | FİYAT |
|-----|-------|-------|-------|
| 256 | 17x17 | 100 | 13,95 |



YÜZÜKLÜ MİNİ VANA

| KOD | ÖLÇÜ | PAKET | FİYAT |
|-----|-------|-------|-------|
| 257 | 17x17 | 100 | 13,05 |



SOMUNLU DIŞ DIŞLİ MİNİ VANA

| KOD | ÖLÇÜ | PAKET | FİYAT |
|-----|-------|-------|-------|
| 258 | 17x½" | 100 | 12,85 |



YÜZÜKLÜ DIŞ DIŞLİ MİNİ VANA

| KOD | ÖLÇÜ | PAKET | FİYAT |
|-----|-------|-------|-------|
| 259 | 17x½" | 100 | 11,00 |



YASSI VİDALI KÖR TAPA

| KOD | ÖLÇÜ | PAKET | FİYAT |
|-----|------|-------|-------|
| 392 | 17 | 250 | 3,45 |
| 713 | 22 | 100 | 3,70 |



YASSI YÜZÜKLÜ ÇIKIŞ NİPELLİ

| KOD | ÖLÇÜ | PAKET | FİYAT |
|-----|-------|-------|-------|
| 394 | 17x16 | 250 | 2,10 |
| 711 | 22x22 | 100 | 2,65 |



LAY FLAT BORU ÇIKIŞ PARÇASI

| KOD | ÖLÇÜ | PAKET | FİYAT |
|-----|------|-------|-------|
| 353 | ½" | 250 | 11,40 |



YÜZÜKLÜ YASSI TE VANA

| KOD | ÖLÇÜ | PAKET | FİYAT |
|-----|------------|-------|-------|
| 722 | 17x1/2"x17 | 50 | 18,35 |
| 720 | 22x1/2"x22 | 50 | 21,00 |



YÜZÜKLÜ VİDALI YASSI TE VANA

| KOD | ÖLÇÜ | PAKET | FİYAT |
|-----|----------|-------|-------|
| 727 | 17x16x17 | 50 | 18,35 |
| 723 | 17x20x17 | 50 | 18,35 |
| 721 | 22x20x22 | 50 | 20,60 |



SOMUNLU TE VANA

| KOD | ÖLÇÜ | PAKET | FİYAT |
|-----|----------|-------|-------|
| 724 | 17x16x17 | 50 | 22,80 |
| 725 | 17x19x17 | 50 | 22,80 |
| 728 | 22x19x22 | 50 | 22,80 |



SOMUNLU VİDALI TE VANA

| KOD | ÖLÇÜ | PAKET | FİYAT |
|-----|------------|-------|-------|
| 726 | 17x1/2"x17 | 50 | 22,80 |
| 729 | 22x1/2"x22 | 50 | 22,80 |



YASSI YÜZÜKLÜ EK

| KOD | ÖLÇÜ | PAKET | FİYAT |
|-----|-------|-------|-------|
| 393 | 17x17 | 250 | 3,45 |
| 710 | 22x22 | 100 | 4,60 |



YASSI VİDALI ÇIKIŞ ADAPTÖRÜ

| KOD | ÖLÇÜ | PAKET | FİYAT |
|-----|-------|-------|-------|
| 391 | 17x16 | 250 | 3,70 |
| 715 | 22x19 | 100 | 4,15 |



YASSI YÜZÜKLÜ KÖR TAPA

| KOD | ÖLÇÜ | PAKET | FİYAT |
|-----|------|-------|-------|
| 716 | 17 | 250 | 1,90 |
| 712 | 22 | 100 | 2,35 |



YASSI VİDALI EKLEME MANŞON

| KOD | ÖLÇÜ | PAKET | FİYAT |
|-----|-------|-------|-------|
| 390 | 17x17 | 250 | 4,15 |
| 714 | 22x22 | 100 | 5,20 |



ÇOK'LU DAĞITICI 6 ÇIKIŞLI

| KOD | ÖLÇÜ | PAKET | FİYAT |
|-----|------|-------|-------|
| 396 | 17 | 50 | 30,10 |



ÇOK'LU DAĞITICI 4 ÇIKIŞLI

| KOD | ÖLÇÜ | PAKET | FİYAT |
|-----|------|-------|-------|
| 397 | 17 | 50 | 26,80 |



ÇOK'LU DAĞITICI 3 ÇIKIŞLI

| KOD | ÖLÇÜ | PAKET | FİYAT |
|-----|------|-------|-------|
| 398 | 17 | 50 | 25,65 |



ÇOK'LU DAĞITICI 2 ÇIKIŞLI

| KOD | ÖLÇÜ | PAKET | FİYAT |
|-----|------|-------|-------|
| 399 | 17 | 50 | 24,68 |



KURTAĞZI EKLEME NİPELİ

| KOD | ÖLÇÜ | PAKET | FİYAT |
|-----|-------|-------|-------|
| 372 | 16x16 | 500 | 1,00 |
| 373 | 20x16 | 500 | 1,10 |
| 374 | 20x20 | 500 | 1,10 |



KURTAĞZI CONTA ÇIKIŞ EKLEME NİPELİ

| KOD | ÖLÇÜ | PAKET | FİYAT |
|-----|------|-------|-------|
| 375 | 16 | 500 | 1,00 |
| 520 | 20 | 500 | 1,10 |



KURTAĞZI KÖR TAPA

| KOD | ÖLÇÜ | PAKET | FİYAT |
|-----|-------|-------|-------|
| 376 | 16 mm | 500 | 1,00 |
| 377 | 20 mm | 500 | 1,00 |



GÖZLÜK KÖR TAPA

| KOD | ÖLÇÜ | PAKET | FİYAT |
|-----|-------|-------|-------|
| 384 | 16 mm | 500 | 1,05 |
| 385 | 20 mm | 500 | 1,05 |



KURTAĞZI TE

| KOD | ÖLÇÜ | PAKET | FİYAT |
|-----|----------|-------|-------|
| 380 | 16x16x16 | 250 | 2,40 |
| 530 | 16x20x16 | 250 | 2,55 |
| 382 | 20x16x20 | 250 | 2,55 |
| 381 | 20x20x20 | 250 | 2,55 |



KURTAĞZI DİRSEK

| KOD | ÖLÇÜ | PAKET | FİYAT |
|-----|-------|-------|-------|
| 378 | 16x16 | 500 | 2,40 |
| 379 | 20x20 | 500 | 2,55 |



DEBİ AYARLI KIRMIZI DAMLATICI

| KOD | ÖLÇÜ | PAKET | FİYAT |
|-----|---------|-------|-------|
| 368 | 0-70L/h | 1000 | 1,45 |



DEBİ AYARLI YEŞİL DAMLATICI

| KOD | ÖLÇÜ | PAKET | FİYAT |
|-----|----------|-------|-------|
| 369 | 0-100L/h | 500 | 1,65 |



NATUREL CONTA DÜZ

| KOD | ÖLÇÜ | PAKET | FİYAT |
|-----|-------|-------|-------|
| 510 | 16 mm | 500 | 3,00 |
| 511 | 20 mm | 500 | 4,15 |



NATUREL CONTA KANALLI

| KOD | ÖLÇÜ | PAKET | FİYAT |
|-----|-------|-------|-------|
| 512 | 16 mm | 500 | 3,45 |
| 513 | 20 mm | 500 | 4,15 |



NATUREL CONTA KONİK

| KOD | ÖLÇÜ | PAKET | FİYAT |
|-----|-------|-------|-------|
| 370 | 16 mm | 500 | 3,00 |
| 514 | 20 mm | 500 | 4,15 |



NATUREL CONTA KÖR

| KOD | ÖLÇÜ | PAKET | FİYAT |
|-----|-------|-------|-------|
| 371 | 16 mm | 500 | 3,00 |
| 515 | 20 mm | 500 | 4,15 |



CANSUYU MUSLUK ve ANAHTARI

| KODU | ÜRÜN | KOLİ Adet | FİYAT |
|------|------------------|-----------|--------|
| 6405 | Musluk + Anahtar | 50 | 456,00 |



MİNİ PLASTİK FİLTRE

| KOD | ÖLÇÜ | PAKET | FİYAT |
|------|------|-------|--------|
| 4453 | ¾" | | 420,00 |
| 4454 | 1" | | 420,00 |
| 4455 | 1¼" | | 600,00 |
| 4456 | 1½" | | 600,00 |
| 4457 | 2" | | 600,00 |



DAMLAMA BORU DELME APARATI

| KOD | ÖLÇÜ | PAKET | FİYAT |
|-----|------|-------|-------|
| 410 | 3 mm | 50 | 90,00 |



KANGAL BORU DELME APARATI

| KOD | ÖLÇÜ | PAKET | FİYAT |
|-----|-------|-------|--------|
| 411 | 16 mm | 50 | 105,00 |
| 413 | 20 mm | 50 | 112,00 |



MATKAPLA DELME APARATI

| KOD | ÖLÇÜ | PAKET | FİYAT |
|-----|-------|-------|-------|
| 412 | 16 mm | 50 | 90,00 |
| 414 | 20 mm | 50 | 95,00 |



BORU SABİTLEME KAZIĞI

| KOD | ÖLÇÜ | PAKET | FİYAT |
|-----|-------|-------|-------|
| 383 | 14 cm | 250 | 2,90 |
| 502 | 25 cm | 100 | 4,15 |



PE KELEPÇE

| KOD | ÖLÇÜ | PAKET | FİYAT |
|-----|-------|-------|-------|
| 386 | 16 mm | 1000 | 1,80 |
| 387 | 20 mm | 500 | 1,80 |



BORU ASMA ÇENGELİ

| KOD | ÖLÇÜ | PAKET | FİYAT |
|------|-------|-------|-------|
| 404K | 16 mm | 100 | 1,20 |
| 404U | 20 mm | 100 | 1,20 |



TE NİPEL

| KOD | ÖLÇÜ | PAKET | FİYAT |
|-----|------------|-------|-------|
| 546 | 16x1/2"x16 | 250 | 2,35 |
| 547 | 16x3/4"x16 | 250 | 2,35 |
| 548 | 20x1/2"x20 | 250 | 2,75 |
| 549 | 20x3/4"x20 | 250 | 2,75 |



PİPO DİRSEK

| KOD | ÖLÇÜ | PAKET | FİYAT |
|-----|---------|-------|-------|
| 388 | 16x1/2" | 250 | 2,10 |
| 389 | 16x3/4" | 250 | 2,10 |
| 540 | 20x1/2" | 250 | 2,35 |
| 541 | 20x3/4" | 250 | 2,35 |



ERKEK ADAPTÖR

| KOD | ÖLÇÜ | PAKET | FİYAT |
|-----|---------|-------|-------|
| 542 | 16x1/2" | 250 | 1,45 |
| 543 | 16x3/4" | 250 | 1,45 |
| 544 | 20x1/2" | 250 | 1,65 |
| 545 | 20x3/4" | 250 | 1,65 |



DAMLAMA MANŞON

| KOD | ÖLÇÜ | PAKET | FİYAT |
|------|------|-------|-------|
| 551 | 1/2" | 100 | 8,25 |
| 552 | 3/4" | 100 | 8,25 |
| 5408 | 1" | 100 | 9,35 |



DAMLAMA ERKEK KÖR TAPA

| KOD | ÖLÇÜ | PAKET | FİYAT |
|-----|------|-------|-------|
| 600 | 1/2" | 100 | 2,75 |
| 601 | 3/4" | 100 | 3,05 |
| 602 | 1" | 100 | 3,50 |



DAMLAMA ERKEK REDÜKSİYON

| KOD | ÖLÇÜ | PAKET | FİYAT |
|------|----------|-------|-------|
| 5411 | 1/2"x 1" | 100 | 20,60 |
| 5410 | 3/4"x 1" | 100 | 20,60 |



BASINÇ AYARLI HAT ÜSTÜ DAMLATICI

| KOD | ÖLÇÜ | PAKET | FİYAT |
|-------|----------------|-------|-------|
| 500M | Mavi 2lt/h | 500 | 3,05 |
| 500K | Kırmızı 4 lt/h | 500 | 3,05 |
| 500S | Sarı 8 lt/h | 500 | 3,05 |
| 500Mr | Mor 12 lt/h | 500 | 3,05 |
| 500Kh | Kahv.12 lt/h | 500 | 3,05 |

SABİT DEBİLİ HAT ÜSTÜ DAMLATICI

| KOD | ÖLÇÜ | PAKET | FİYAT |
|------|---------------|-------|-------|
| 501Y | Yeşil 2Lt/h | 1000 | 3,05 |
| 501K | Kırmızı 4Lt/h | 1000 | 3,05 |
| 501S | Sarı 8Lt / h | 1000 | 3,05 |

SİSLEME

| KOD | ÖLÇÜ | PAKET | FİYAT |
|-----|-------|-------|-------|
| 409 | 3Lt/h | 100 | 4,60 |



SERA İÇİN MİNİ SPRİNK TAKIMI

| KOD | ÖLÇÜ | PAKET | FİYAT |
|------|--------|-------|-------|
| 52-1 | 40 Lt | 100 | 68,80 |
| 52-2 | 80 Lt | 100 | 68,80 |
| 52-3 | 120 Lt | 100 | 68,80 |
| 52-4 | 160 Lt | 100 | 68,80 |
| 52-5 | 200 Lt | 100 | 68,80 |

KAZIKLI MİNİ SPRİNK SETİ

| KOD | ÖLÇÜ | PAKET | FİYAT |
|------|----------------|-------|-------|
| 400Y | Yeşil 80 Lt | 100 | 45,60 |
| 400K | Kırmızı 120 Lt | 100 | 45,60 |
| 400S | Sarı 160 Lt | 100 | 45,60 |

SİSLEME TAKIMI

| KOD | ÖLÇÜ | PAKET | FİYAT |
|-----|------------------------|-------|-------|
| 33 | 2 Kafalı TK 6 LT/h | 100 | 59,60 |
| 34 | 4 Kafalı TK 12 LT/h | 100 | 68,40 |



SERA İÇİN MİNİ SPRİNK

| KOD | ÖLÇÜ | PAKET | FİYAT |
|------|--------|-------|-------|
| 53-1 | 40 Lt | 100 | 27,40 |
| 53-2 | 80 Lt | 100 | 27,40 |
| 53-3 | 120 Lt | 100 | 27,40 |
| 53-4 | 160 Lt | 100 | 27,40 |
| 53-5 | 200 Lt | 100 | 27,40 |

MİNİ SPRİNK

| KOD | ÖLÇÜ | PAKET | FİYAT |
|------|-------------------|-------|-------|
| 402Y | Yeşil 80 Lt | 100 | 14,00 |
| 402K | Kırmızı 120 Lt | 100 | 14,00 |
| 402S | Sarı 160 Lt | 100 | 14,00 |

MİNİ SPRİNK KAZIĞI

| KOD | ÖLÇÜ | PAKET | FİYAT |
|-----|-------|-------|-------|
| 403 | 40 cm | 100 | 9,15 |



PVC SPAGETTİ BORU

| KOD | ÖLÇÜ | METRE | FİYAT |
|-------|------|-------|----------|
| 407-1 | 5 mm | 100 | 1.710,00 |
| 407-2 | 7 mm | 100 | 1.710,00 |



SABİT AÇILI SÜPER MİNİ SPRİNK SET

| KOD | ÖLÇÜ | PAKET | FİYAT |
|------|-----------------------|-------|-------|
| 406Y | Yeşil 90° 120 Lt/h | 100 | 11,45 |
| 406K | Kırmızı 180° 120 Lt/h | 100 | 11,45 |
| 406S | Sarı 360° 120 Lt/h | 100 | 11,45 |



SABİT AÇILI SÜPER MİNİ SPRİNK

| KOD | ÖLÇÜ | PAKET | FİYAT |
|------|-----------------------|-------|-------|
| 408Y | Yeşil 90° 120 Lt/h | 100 | 2,35 |
| 408K | Kırmızı 180° 120 Lt/h | 100 | 2,35 |
| 408S | Sarı 360° 120 Lt/h | 100 | 2,35 |



TE (Spagetti Boru için)

| KOD | ÖLÇÜ | PAKET | FİYAT |
|-----|------|-------|-------|
| 422 | 7 mm | 100 | 2,90 |



ÇİFT TARAFLI VİDALI START ÇIKIŞ

| KOD | ÖLÇÜ | PAKET | FİYAT |
|-----|------|-------|-------|
| 224 | 7 mm | 500 | 1,45 |



TEK TARAFLI VİDALI START ÇIKIŞ

| KOD | ÖLÇÜ | PAKET | FİYAT |
|-----|------|-------|-------|
| 223 | 7 mm | 500 | 1,45 |



SAKSI SULAMA KAZIĞI 4 LT

| KOD | ÖLÇÜ | PAKET | FİYAT |
|------|------------|-------|-------|
| 401K | 5 mm 50 cm | 100 | 10,35 |
| 401U | 7 mm 50 cm | 100 | 10,35 |



SAKSI SULAMA KAZIĞI

| KOD | ÖLÇÜ | PAKET | FİYAT |
|------|------|-------|-------|
| 405K | 5 mm | 500 | 2,35 |
| 405U | 7 mm | 500 | 3,50 |



NOZUL ADAPTÖR (Dişi)

| KOD | ÖLÇÜ | PAKET | FİYAT |
|-----|------|-------|-------|
| 418 | 7 mm | 500 | 1,45 |



NOZUL ADAPTÖR

| KOD | ÖLÇÜ | PAKET | FİYAT |
|-----|------|-------|-------|
| 419 | 7 mm | 500 | 1,45 |



START ÇIKIŞ (SPAGETTİ BORU İÇİN)

| KOD | ÖLÇÜ | PAKET | FİYAT |
|-----|------|-------|-------|
| 420 | 7 mm | 500 | 1,45 |



KÖR TAPA (SPAGETTİ BORU İÇİN)

| KOD | ÖLÇÜ | PAKET | FİYAT |
|-----|------|-------|-------|
| 421 | 7 mm | 500 | 1,45 |



NİPEL

| KOD | ÖLÇÜ | PAKET | FİYAT |
|------|------|-------|-------|
| 5427 | 1/2" | 100 | 5,20 |
| 5413 | 3/4" | 100 | 5,20 |
| 5412 | 1" | 100 | 5,20 |



REDÜKSİYON NİPEL

| KOD | ÖLÇÜ | PAKET | FİYAT |
|------|-------------|-------|-------|
| 5419 | 3/4" x 1/2" | 100 | 5,20 |

**RAIN BIRD®****UNI-SPRAY™ SPREY BAŞLIK SERİSİ VAN NOZULLAR İLE**

| KODU | MODEL | AÇIKLAMA | KOLİ Adet | Kategori | FİYAT (\$) |
|----------|-------|------------------------------|-----------|----------|------------|
| P4101001 | US410 | UNI-SPRAY 10-VAN 10 cm | 50 | TU1 | 5,46 |
| P4101201 | US412 | UNI-SPRAY 12-VAN 10 cm | 50 | TU1 | 5,46 |
| P4101501 | US415 | UNI-SPRAY 15-VAN 10 cm | 50 | TU1 | 5,46 |
| P41018 | US418 | UNI-SPRAY 18-VAN 10 cm | 50 | TU1 | 5,46 |
| P40000 | US400 | UNI-SPRAY Sadece Gövde 10 cm | 50 | TU1 | 3,73 |

**UNI-SPRAY™ SPREY BAŞLIK SERİSİ HE-VAN NOZULLAR İLE**

| | | | | | |
|--------|---------|---------------------------|----|-----|------|
| P40008 | US408HE | UNI-SPRAY 8-HE-VAN 10 cm | 50 | TU1 | 5,82 |
| P40010 | US410HE | UNI-SPRAY 10-HE-VAN 10 cm | 50 | TU1 | 5,82 |
| P40012 | US412HE | UNI-SPRAY 12-HE-VAN 10 cm | 50 | TU1 | 5,82 |
| P40015 | US415HE | UNI-SPRAY 15-HE-VAN 10 cm | 50 | TU1 | 5,82 |

3504 SERİSİ : ½" ROTOR SPRİNK

| | | | | | |
|--------|--------|--|----|-----|-------|
| Y34001 | 3504PC | 3504 Rotor 4,6 Metre - 10,7 mt Atış Mesafesi | 20 | TU1 | 22,92 |
|--------|--------|--|----|-----|-------|

**5004 SERİSİ : ¾" POP-UP ROTOR SPRİNK**

| | | | | | |
|------------|-----------|---|----|-----|-------|
| Y5410730MX | 5004PC30 | 5004 Rotor 7,6 mt - 15,2 mt Atış Mesafesi | 20 | TU1 | 25,91 |
| Y55007 | 5004PCSAM | 5004 : PC ve Dönüş FC SAM (40-360°) | 20 | TU1 | 34,14 |

ESP-TM2 24V KONTROL ÜNİTELERİ : Wifi Uyumlu (Yeni LNK2 Wifi Modülü İle Uyumludur.)

| | | | | | |
|--------|-----------|---------------------------------------|---|-----|--------|
| F54234 | TM2I4-230 | ESP-TM İç Mekan 4 İstasyon Wifi Uyumu | 6 | TU1 | 200,40 |
| F54236 | TM2I6-230 | ESP-TM İç Mekan 8 İstasyon Wifi Uyumu | 6 | TU1 | 260,65 |

**1" DV SERİSİ SOLENOİD VANALAR**

| | | | | | |
|--------|------------|----------------------------|----|-----|-------|
| B70350 | 100DVFTBOS | 100DVF 1" Solenoid vana 9V | 20 | TU1 | 92,98 |
|--------|------------|----------------------------|----|-----|-------|

**DV,JTV,PGA,PEB,PESB,BPE,BPES İçin Solenoid Bobin 9V**

| | | | | | |
|--------|--------|---------------------------|---|-----|-------|
| K80920 | K80920 | 1" Solenoid Vana Bobin 9V | 8 | TU1 | 56,62 |
|--------|--------|---------------------------|---|-----|-------|





DIŞTAN DIŞLİ ADAPTÖR (ERKEK)

İÇTEN DIŞLİ ADAPTÖR (DIŞI)



| KODU | ÖLÇÜ | ÇUVAL Adet | FİYAT |
|----------|-----------|---------------|----------|
| 200201 | 20 x ½" | 540 | 34,35 |
| 200202 | 20 x ¾" | 360 | 34,35 |
| 200203 | 25 x ½" | 300 | 45,80 |
| 200204 | 25 x ¾" | 300 | 45,80 |
| 200205 | 25 x 1" | 240 | 45,80 |
| 200206 | 32 x ½" | 200 | 47,50 |
| 200207 | 32 x ¾" | 200 | 47,50 |
| 200208 | 32 x 1" | 200 | 47,50 |
| 200209 | 32 x 1¼" | 160 | 47,50 |
| 200209-1 | 40 x ¾" | 100 | 94,45 |
| 200210 | 40 x 1" | 100 | 94,45 |
| 200211 | 40 x 1¼" | 100 | 94,45 |
| 200212 | 40 x 1½" | 90 | 94,45 |
| 200213-1 | 50 x 1" | 70 | 154,55 |
| 200213 | 50 x 1¼" | 70 | 154,55 |
| 200214 | 50 x 1½" | 70 | 154,55 |
| 200215 | 50 x 2" | 65 | 154,55 |
| 200216 | 63 x 1½" | 43 | 191,75 |
| 200217 | 63 x 2" | 43 | 191,75 |
| 200218 | 63 x 2½" | 40 | 191,75 |
| 200219 | 75 x 2" | 27 | 417,80 |
| 200220 | 75 x 2½" | 27 | 417,80 |
| 200221 | 75 x 3" | 25 | 417,80 |
| 200222 | 90 x 2" | 16 | 489,35 |
| 200223 | 90 x 2½" | 16 | 489,35 |
| 200224 | 90 x 3" | 16 | 489,35 |
| 200225 | 90 x 4" | 15 | 489,35 |
| 200226 | 110 x 2" | 8 | 1.058,80 |
| 200227 | 110 x 2½" | 8 | 1.058,80 |
| 200228 | 110 x 3" | 8 | 1.058,80 |
| 200229 | 110 x 4" | 8 | 1.058,80 |
| 200230 | 125 x 5" | 4 | 2.232,00 |



| KODU | ÖLÇÜ | ÇUVAL Adet | FİYAT |
|----------|-----------|---------------|----------|
| 200101 | 20 x ½" | 500 | 34,35 |
| 200102 | 20 x ¾" | 360 | 34,35 |
| 200103 | 25 x ½" | 240 | 45,80 |
| 200104 | 25 x ¾" | 300 | 45,80 |
| 200105 | 25 x 1" | 200 | 45,80 |
| 200106 | 32 x ½" | 160 | 47,50 |
| 200107 | 32 x ¾" | 160 | 47,50 |
| 200108 | 32 x 1" | 200 | 47,50 |
| 200109 | 32 x 1¼" | 140 | 47,50 |
| 200109-1 | 40 x ¾" | 100 | 94,45 |
| 200110 | 40 x 1" | 100 | 94,45 |
| 200111 | 40 x 1¼" | 100 | 94,45 |
| 200112 | 40 x 1½" | 90 | 94,45 |
| 200113 | 50 x 1¼" | 60 | 154,55 |
| 200114 | 50 x 1½" | 60 | 154,55 |
| 200115 | 50 x 2" | 55 | 154,55 |
| 200116 | 63 x 1½" | 40 | 191,75 |
| 200117 | 63 x 2" | 40 | 191,75 |
| 200118 | 63 x 2½" | 35 | 191,75 |
| 200119 | 75 x 2" | 26 | 417,80 |
| 200120 | 75 x 2½" | 26 | 417,80 |
| 200121 | 75 x 3" | 23 | 417,80 |
| 200122 | 90 x 2" | 16 | 489,35 |
| 200123 | 90 x 2½" | 16 | 489,35 |
| 200124 | 90 x 3" | 16 | 489,35 |
| 200125 | 90 x 4" | 15 | 489,35 |
| 200126 | 110 x 2" | 8 | 1.058,80 |
| 200127 | 110 x 2½" | 8 | 1.058,80 |
| 200128 | 110 x 3" | 8 | 1.058,80 |
| 200129 | 110 x 4" | 8 | 1.058,80 |
| 200130 | 125 x 5" | 4 | 2.232,00 |



GEÇME MANŞON



| KODU | ÖLÇÜ | ÇUVAL Adet | FİYAT |
|--------|-----------|---------------|----------|
| 200301 | 20 x 20 | 250 | 42,95 |
| 200302 | 25 x 25 | 160 | 59,85 |
| 200303 | 32 x 32 | 100 | 73,85 |
| 200304 | 40 x 40 | 65 | 156,95 |
| 200305 | 50 x 50 | 36 | 209,50 |
| 200306 | 63 x 63 | 23 | 302,20 |
| 200307 | 75 x 75 | 16 | 535,70 |
| 200308 | 90 x 90 | 9 | 789,80 |
| 200309 | 110 x 110 | 5 | 1.176,10 |
| 200315 | 125 x 125 | 3 | 3.376,60 |

GEÇME DİRSEK



| KODU | ÖLÇÜ | ÇUVAL Adet | FİYAT |
|--------|-----------|---------------|----------|
| 200801 | 20 x 20 | 250 | 68,10 |
| 200802 | 25 x 25 | 140 | 88,15 |
| 200803 | 32 x 32 | 90 | 92,75 |
| 200804 | 40 x 40 | 50 | 200,35 |
| 200805 | 50 x 50 | 30 | 313,20 |
| 200806 | 63 x 63 | 20 | 346,50 |
| 200807 | 75 x 75 | 14 | 849,60 |
| 200808 | 90 x 90 | 8 | 970,10 |
| 200809 | 110 x 110 | 4 | 1.996,60 |
| 200810 | 125 x 125 | 2 | 4.292,25 |

GEÇME TE



| KODU | ÖLÇÜ | ÇUVAL Adet | FİYAT |
|--------|-----------|---------------|----------|
| 200401 | 20 x 20 | 140 | 101,90 |
| 200402 | 25 x 25 | 80 | 125,95 |
| 200403 | 32 x 32 | 50 | 174,60 |
| 200404 | 40 x 40 | 30 | 279,30 |
| 200405 | 50 x 50 | 20 | 421,80 |
| 200406 | 63 x 63 | 12 | 517,80 |
| 200407 | 75 x 75 | 9 | 1.137,90 |
| 200408 | 90 x 90 | 5 | 1.657,70 |
| 200409 | 110 x 110 | 2 | 2.787,10 |
| 200410 | 125 x 125 | 1 | 5.437,00 |

TAPA



| KODU | ÖLÇÜ | ÇUVAL Adet | FİYAT |
|--------|------|---------------|----------|
| 201201 | 20 | 360 | 33,55 |
| 201202 | 25 | 240 | 44,05 |
| 201203 | 32 | 160 | 58,85 |
| 201204 | 40 | 110 | 88,45 |
| 201205 | 50 | 70 | 145,25 |
| 201206 | 63 | 45 | 208,70 |
| 201207 | 75 | 30 | 403,90 |
| 201208 | 90 | 16 | 565,32 |
| 201209 | 110 | 10 | 928,30 |
| 201210 | 125 | 5 | 1.659,70 |



DIŞTAN DİŞLİ DİRSEK (ERKEK)

İÇTEN DİŞLİ DİRSEK (Dişi)



| KODU | ÖLÇÜ | ÇUVAL Adet | FİYAT |
|--------|-----------|---------------|----------|
| 200601 | 20x1/2" | 400 | 31,80 |
| 200602 | 20x3/4" | 400 | 40,00 |
| 200603 | 25x1/2" | 200 | 66,40 |
| 200604 | 25x3/4" | 200 | 66,40 |
| 200605 | 25x1" | 200 | 66,40 |
| 200606 | 32x3/4" | 140 | 68,70 |
| 200607 | 32x1" | 140 | 68,70 |
| 200608 | 32x1 1/4" | 120 | 68,70 |
| 200609 | 40x1" | 70 | 151,10 |
| 200610 | 40x1 1/4" | 70 | 151,10 |
| 200611 | 40x1 1/2" | 70 | 151,10 |
| 200612 | 50x1 1/4" | 50 | 234,65 |
| 200613 | 50x1 1/2" | 50 | 234,65 |
| 200614 | 50x2" | 45 | 234,65 |
| 200615 | 63x1 1/2" | 35 | 279,30 |
| 200616 | 63x2" | 35 | 279,30 |
| 200617 | 63x2 1/2" | 30 | 279,30 |
| 200618 | 75x2" | 22 | 635,30 |
| 200619 | 75x2 1/2" | 22 | 635,30 |
| 200620 | 75x3" | 20 | 635,30 |
| 200621 | 90x2 1/2" | 13 | 787,50 |
| 200622 | 90x3" | 13 | 787,50 |
| 200623 | 110x3" | 7 | 1.488,00 |
| 200624 | 110x4" | 7 | 1.488,00 |
| 200625 | 125x5" | 3 | 3.267,90 |



| KODU | ÖLÇÜ | ÇUVAL Adet | FİYAT |
|----------|-------------|---------------|----------|
| 200701 | 20 x 1/2" | 400 | 31,80 |
| 200702 | 20 x 3/4" | 400 | 31,80 |
| 200703 | 25 x 1/2" | 240 | 66,40 |
| 200704 | 25 x 3/4" | 240 | 66,40 |
| 200704-1 | 25 x 1" | 200 | 66,40 |
| 200705-1 | 32 x 1/2" | 140 | 68,70 |
| 200705 | 32 x 3/4" | 140 | 68,70 |
| 200706 | 32 x 1" | 140 | 68,70 |
| 200707 | 40 x 1" | 80 | 151,10 |
| 200708 | 40 x 1 1/4" | 80 | 151,10 |
| 200709 | 50 x 1 1/4" | 45 | 234,65 |
| 200710 | 50 x 1 1/2" | 45 | 234,65 |
| 200711 | 50 x 2" | 45 | 234,65 |
| 200712 | 63 x 1 1/2" | 33 | 279,30 |
| 200713 | 63 x 2" | 33 | 279,30 |
| 200714 | 75 x 2" | 20 | 635,30 |
| 200715 | 75 x 2 1/2" | 20 | 635,30 |
| 200716 | 90 x 2 1/2" | 10 | 787,50 |
| 200717 | 90 x 3" | 10 | 787,50 |
| 200718 | 110 x 3" | 7 | 1.488,00 |
| 200719 | 110 x 4" | 7 | 1.488,00 |
| 200720 | 125 x 5" | 3 | 3.033,20 |

DIŞTAN DİŞLİ TE (ERKEK)



| KODU | ÖLÇÜ | ÇUVAL Adet | FİYAT |
|----------|--------------|---------------|----------|
| 201001 | 20x1/2"x20 | 160 | 80,15 |
| 201002 | 20x3/4"x20 | 160 | 80,15 |
| 201003 | 25x1/2"x25 | 100 | 105,80 |
| 201004 | 25x3/4"x25 | 100 | 105,80 |
| 201005 | 25x1"x25 | 100 | 105,80 |
| 201006 | 25x1 1/4"x25 | 80 | 105,80 |
| 201007 | 32x1/2"x32 | 75 | 148,25 |
| 201008 | 32x3/4"x32 | 75 | 148,25 |
| 201009 | 32x1"x32 | 75 | 148,25 |
| 201010 | 32x1 1/4"x32 | 60 | 148,25 |
| 201011 | 40x1"x40 | 35 | 226,10 |
| 201012 | 40x1 1/4"x40 | 35 | 226,10 |
| 201013 | 40x1 1/2"x40 | 35 | 226,10 |
| 201014 | 50x1"x50 | 25 | 357,70 |
| 201015 | 50x1 1/4"x50 | 25 | 357,70 |
| 201016 | 50x1 1/2"x50 | 25 | 357,70 |
| 201017 | 50x2"x50 | 25 | 357,70 |
| 201018 | 63x1 1/4"x63 | 16 | 443,55 |
| 201019 | 63x1 1/2"x63 | 16 | 443,55 |
| 201020 | 63x2"x63 | 16 | 443,55 |
| 201021 | 63x2 1/2"x63 | 14 | 443,55 |
| 201022 | 75x2"x75 | 12 | 904,25 |
| 201023 | 75x2 1/2"x75 | 12 | 904,25 |
| 201024 | 75x3"x75 | 10 | 904,25 |
| 201024-1 | 90x2"x90 | 6 | 1.365,00 |
| 201025 | 90x2 1/2"x90 | 6 | 1.365,00 |
| 201026 | 90x3"x90 | 6 | 1.365,00 |
| 201027 | 90x4"x90 | 5 | 1.365,00 |
| 201028 | 110x3"x110 | 3 | 2.220,55 |
| 201029 | 110x4"x110 | 3 | 2.220,55 |
| 201030 | 125x5"x125 | 1 | 5.196,50 |

İÇTEN DİŞLİ TE (Dişi)



| KODU | ÖLÇÜ | ÇUVAL Adet | FİYAT |
|----------|----------------|---------------|----------|
| 200901 | 20x1/2"x20 | 200 | 80,15 |
| 200902 | 20x3/4"x20 | 200 | 80,15 |
| 200903 | 25x1/2"x25 | 120 | 105,80 |
| 200904 | 25x3/4"x25 | 120 | 105,80 |
| 200904-1 | 25x1"x25 | 100 | 105,80 |
| 200905 | 32x1/2"x32 | 80 | 148,25 |
| 200906 | 32x3/4"x32 | 80 | 148,25 |
| 200907 | 32x1"x32 | 80 | 148,25 |
| 200908 | 40x3/4"x40 | 40 | 226,10 |
| 200909 | 40x1"x40 | 40 | 226,10 |
| 200910 | 40x1 1/4"x40 | 40 | 226,10 |
| 200911 | 50x1"x50 | 25 | 357,70 |
| 200912 | 50x1 1/4"x50 | 25 | 357,70 |
| 200913 | 50x1 1/2"x50 | 25 | 357,70 |
| 200914 | 63x1"x63 | 15 | 443,55 |
| 200915 | 63x1 1/4"x63 | 15 | 443,55 |
| 200916 | 63x1 1/2"x63 | 15 | 443,55 |
| 200917 | 63x2"x63 | 15 | 443,55 |
| 200918 | 75x2"x75 | 11 | 904,25 |
| 200919 | 75x2 1/2"x75 | 11 | 904,25 |
| 200920 | 90x2 1/2"x90 | 6 | 1.365,00 |
| 200921 | 90x3"x90 | 6 | 1.365,00 |
| 200921-1 | 110x2 1/2"x110 | 3 | 2.220,55 |
| 200922 | 110x3"x110 | 3 | 2.220,55 |
| 200923 | 110x4"x110 | 3 | 2.220,55 |
| 200924 | 125x5"x125 | 1 | 4.423,90 |



REDÜKSİYON

| KODU | ÖLÇÜ | ÇUVAL Adet | FİYAT |
|--------|-----------|---------------|----------|
| 200501 | 25 x 20 | 175 | 48,65 |
| 200502 | 32 x 20 | 120 | 54,40 |
| 200503 | 32 x 25 | 120 | 54,40 |
| 200504 | 40 x 20 | 90 | 120,20 |
| 200505 | 40 x 25 | 80 | 120,20 |
| 200506 | 40 x 32 | 80 | 120,20 |
| 200507 | 50 x 25 | 50 | 168,85 |
| 200508 | 50 x 32 | 50 | 168,85 |
| 200509 | 50 x 40 | 50 | 168,85 |
| 200510 | 63 x 25 | 40 | 363,15 |
| 200511 | 63 x 32 | 40 | 363,15 |
| 200512 | 63 x 40 | 30 | 363,15 |
| 200513 | 63 x 50 | 30 | 363,15 |
| 200514 | 75 x 50 | 20 | 469,30 |
| 200515 | 75 x 63 | 20 | 469,30 |
| 200516 | 90 x 63 | 12 | 641,00 |
| 200517 | 90 x 75 | 12 | 641,00 |
| 200518 | 110 x 63 | 7 | 1.001,55 |
| 200519 | 110 x 75 | 5 | 1.001,55 |
| 200520 | 110 x 90 | 5 | 1.001,55 |
| 200521 | 125 x 110 | 2 | 5.231,00 |



REDÜKSİYONLU TE

| KODU | ÖLÇÜ | ÇUVAL Adet | FİYAT |
|--------|-------------|---------------|----------|
| 201101 | 25x20x25 | 80 | 127,60 |
| 201102 | 32x20x32 | 60 | 155,80 |
| 201103 | 32x25x32 | 60 | 155,80 |
| 201104 | 40x20x40 | 35 | 249,00 |
| 201105 | 40x25x40 | 35 | 249,00 |
| 201106 | 40x32x40 | 35 | 249,00 |
| 201107 | 50x25x50 | 25 | 342,25 |
| 201108 | 50x32x50 | 25 | 342,25 |
| 201109 | 50x40x50 | 22 | 342,25 |
| 201110 | 63x25x63 | 13 | 492,20 |
| 201111 | 63x32x63 | 13 | 492,20 |
| 201112 | 63x40x63 | 13 | 492,20 |
| 201113 | 63x50x63 | 13 | 509,35 |
| 201114 | 75x50x75 | 9 | 961,00 |
| 201115 | 75x63x75 | 9 | 961,00 |
| 201116 | 90x63x90 | 5 | 1.533,80 |
| 201117 | 90x75x90 | 5 | 1.533,80 |
| 201118 | 110x63x110 | 3 | 1.848,55 |
| 201119 | 110x75x110 | 3 | 1.949,60 |
| 201120 | 110x90x110 | 3 | 2.174,75 |
| 201121 | 125x110x125 | 1 | 6.873,35 |



REDÜKSİYONLU DİRSEK

| KODU | ÖLÇÜ | ÇUVAL Adet | FİYAT |
|--------|----------|---------------|----------|
| 201301 | 25 x 20 | 120 | 77,60 |
| 201302 | 32 x 25 | 90 | 102,40 |
| 201303 | 40 x 32 | 50 | 149,70 |
| 201304 | 50 x 40 | 30 | 215,50 |
| 201305 | 63 x 50 | 20 | 295,40 |
| 201306 | 75 x 63 | 14 | 568,55 |
| 201307 | 90 x 75 | 8 | 816,00 |
| 201308 | 110 x 75 | 4 | 1.254,15 |
| 201309 | 110 x 90 | 4 | 1.254,15 |



PETEK SERİSİ
PP KAPLİN ÇIKIŞLI KÜRESEL VANA



20-63 mm PN10
75-110 mm PN6

| KODU | ÖLÇÜ | ÇUVAL Adet | FİYAT |
|--------|-----------|---------------|----------|
| 202211 | 20 x 20 | 220 | 206,10 |
| 202212 | 25 x 25 | 150 | 263,30 |
| 202213 | 32 x 32 | 100 | 354,25 |
| 202214 | 40 x 40 | 50 | 560,40 |
| 202215 | 50 x 50 | 35 | 725,25 |
| 202216 | 63 x 63 | 25 | 1.054,90 |
| 202217 | 75 x 75 | 13 | 1.499,45 |
| 202218 | 90 x 90 | 8 | 2.010,85 |
| 202219 | 110 x 110 | 5 | 3.593,15 |
| 202220 | 125 x 125 | 1 | |

PP KAPLİN ÇIKIŞLI KÜRESEL VANA



20-63 mm PN16
75-110 mm PN10

| KODU | ÖLÇÜ | ÇUVAL Adet | FİYAT |
|--------|-----------|---------------|-----------|
| 202201 | 20 x 20 | 190 | 316,10 |
| 202202 | 25 x 25 | 115 | 406,10 |
| 202203 | 32 x 32 | 75 | 527,45 |
| 202204 | 40 x 40 | 50 | 747,20 |
| 202205 | 50 x 50 | 30 | 967,00 |
| 202206 | 63 x 63 | 18 | 1.406,50 |
| 202207 | 75 x 75 | 12 | 1.999,85 |
| 202208 | 90 x 90 | 7 | 2.681,15 |
| 202209 | 110 x 110 | 5 | 4.790,85 |
| 202210 | 125 x 125 | 1 | 10.816,50 |

PP KAPLİN DIŞ DIŞLİ KÜRESEL VANA



| KODU | ÖLÇÜ | ÇUVAL Adet | FİYAT |
|--------|-------------|---------------|----------|
| 202301 | 20 x 1/2" | 270 | 226,90 |
| 202302 | 25 x 3/4" | 170 | 299,70 |
| 202303 | 32 x 1" | 120 | 403,55 |
| 202304 | 40 x 1 1/4" | 70 | 522,00 |
| 202305 | 50 x 1 1/2" | 40 | 734,50 |
| 202306 | 63 x 2" | 25 | 1.058,80 |
| 202307 | 75 x 2 1/2" | 17 | 1.538,35 |
| 202308 | 90 x 3" | 10 | 2.065,80 |
| 202309 | 110 x 4" | 5 | 3.670,05 |

PP KAPLİN İÇ DIŞLİ KÜRESEL VANA



| KODU | ÖLÇÜ | ÇUVAL Adet | FİYAT |
|--------|-------------|---------------|----------|
| 202901 | 20 x 1/2" | 270 | 226,90 |
| 202902 | 25 x 1/2" | 165 | 299,70 |
| 202903 | 32 x 1" | 115 | 403,55 |
| 202904 | 40 x 1 1/4" | 75 | 522,00 |
| 202905 | 50 x 1 1/2" | 45 | 734,50 |
| 202906 | 63 x 2" | 25 | 1.058,80 |
| 202907 | 75 x 2 1/2" | 15 | 1.538,35 |
| 202908 | 90 x 3" | 10 | 2.065,80 |
| 202909 | 110 x 4" | 6 | 3.670,05 |

PVC YAYLI KLEPE (Yatay ve Dikey Çalışabilen)



| KODU | ÖLÇÜ | ÇUVAL Adet | FİYAT |
|--------|--------|---------------|----------|
| 205005 | 2 1/2" | 17 | 1.834,00 |
| 205006 | 3" | 14 | 1.834,00 |
| 205007 | 4" | 8 | 1.834,00 |



CİVATALI PRİZ KOLYE KLİTLİ CONTALI



| KODU | ÖLÇÜ | ÇUVAL Adet | FİYAT |
|----------|--------------|---------------|--------|
| 203000-1 | 25 x 1/2" | 400 | 67,55 |
| 203000-2 | 25 x 3/4" | 400 | 67,55 |
| 203001 | 32 x 1/2" | 270 | 77,90 |
| 203002 | 32 x 3/4" | 270 | 77,90 |
| 203003 | 32 x 1" | 220 | 77,90 |
| 203004 | 40 x 1/2" | 200 | 89,75 |
| 203005 | 40 x 3/4" | 200 | 89,75 |
| 203006 | 40 x 1" | 180 | 89,75 |
| 203007 | 50 x 1/2" | 85 | 104,60 |
| 203008 | 50 x 3/4" | 85 | 104,60 |
| 203009 | 50 x 1" | 85 | 104,60 |
| 203010 | 50 x 1 1/4" | 80 | 133,90 |
| 203011 | 50 x 1 1/2" | 80 | 133,90 |
| 203012 | 63 x 1/2" | 85 | 157,90 |
| 203013 | 63 x 3/4" | 85 | 157,90 |
| 203014 | 63 x 1" | 85 | 157,90 |
| 203015 | 63 x 1 1/4" | 65 | 189,25 |
| 203016 | 63 x 1 1/2" | 65 | 189,25 |
| 2030161 | 63 x 2" | 65 | 189,15 |
| 203017 | 75 x 1/2" | 70 | 182,80 |
| 203018 | 75 x 3/4" | 70 | 182,80 |
| 203019 | 75 x 1" | 70 | 182,80 |
| 203020 | 75 x 1 1/4" | 50 | 210,95 |
| 203021 | 75 x 1 1/2" | 50 | 210,95 |
| 203022 | 75 x 2" | 50 | 210,95 |
| 203023 | 90 x 1/2" | 50 | 218,45 |
| 203024 | 90 x 3/4" | 50 | 218,45 |
| 203025 | 90 x 1" | 50 | 218,45 |
| 203026 | 90 x 1 1/4" | 45 | 251,20 |
| 203027 | 90 x 1 1/2" | 45 | 251,20 |
| 203028 | 90 x 2" | 45 | 251,20 |
| 203029 | 110 x 1/2" | 35 | 245,90 |
| 203030 | 110 x 3/4" | 35 | 245,90 |
| 203031 | 110 x 1" | 35 | 245,90 |
| 203032 | 110 x 1 1/4" | 35 | 293,20 |

| KODU | ÖLÇÜ | ÇUVAL Adet | FİYAT |
|---------|--------------|---------------|----------|
| 203033 | 110 x 1 1/2" | 35 | 293,20 |
| 203034 | 110 x 2" | 35 | 293,20 |
| 203035 | 110 x 2 1/2" | 20 | 579,65 |
| 203036 | 110 x 3" | 20 | 579,65 |
| 203037 | 125 x 1/2" | 35 | 524,80 |
| 203038 | 125 x 3/4" | 35 | 524,80 |
| 203039 | 125 x 1" | 35 | 524,80 |
| 2030391 | 125 x 1 1/4" | 32 | 524,80 |
| 203040 | 125 x 1 1/2" | 32 | 524,80 |
| 203041 | 125 x 2" | 32 | 524,80 |
| 203042 | 140 x 1/2" | 20 | 605,60 |
| 203043 | 140 x 3/4" | 20 | 605,60 |
| 203044 | 140 x 1" | 20 | 605,60 |
| 203045 | 140 x 1 1/4" | 20 | 605,60 |
| 203046 | 140 x 1 1/2" | 20 | 605,60 |
| 203047 | 140 x 2" | 20 | 605,60 |
| 203048 | 160 x 1/2" | 18 | 692,00 |
| 203049 | 160 x 3/4" | 18 | 692,00 |
| 203050 | 160 x 1" | 18 | 692,00 |
| 203051 | 160 x 1 1/4" | 18 | 692,00 |
| 203052 | 160 x 1 1/2" | 18 | 692,00 |
| 203053 | 160 x 2" | 18 | 692,00 |
| 203054 | 160 x 2 1/2" | 10 | 1.313,50 |
| 203055 | 160 x 3" | 10 | 1.313,50 |
| 203057 | 200 x 1" | 7 | 1.638,00 |
| 203058 | 200 x 1 1/4" | 7 | 1.638,00 |
| 203059 | 200 x 1 1/2" | 7 | 1.638,00 |
| 203060 | 200 x 2" | 7 | 1.638,00 |
| 203064 | 225 x 1" | 6 | 2.317,85 |
| 203065 | 225 x 1 1/4" | 6 | 2.317,85 |
| 203066 | 225 x 1 1/2" | 6 | 2.317,85 |
| 203067 | 225 x 2" | 6 | 2.317,85 |
| 203071 | 250 x 1" | 5 | 2.750,50 |
| 203072 | 250 x 1 1/4" | 5 | 2.750,50 |
| 203073 | 250 x 1 1/2" | 5 | 2.750,50 |

CİVATALI ÇİFT ÇIKIŞLI PRİZ KOLYE
KİLİTLİ ÇANTALI

| KODU | ÖLÇÜ | ÇUVAL Adet | FİYAT |
|----------|------------------|---------------|--------|
| 203100 | 25x1/2"x1/2" | 350 | 80,15 |
| 203100-1 | 25x3/4"x3/4" | 350 | 80,15 |
| 203101 | 32x1/2"x1/2" | 200 | 92,00 |
| 203102 | 32x3/4"x3/4" | 200 | 92,00 |
| 203103 | 32x1"x1" | 200 | 92,00 |
| 203104 | 40x1/2"x1/2" | 125 | 100,50 |
| 203105 | 40x3/4"x3/4" | 125 | 100,50 |
| 203106 | 40x1"x1" | 125 | 100,50 |
| 203107 | 50x1/2"x1/2" | 50 | 119,40 |
| 203108 | 50x3/4"x3/4" | 50 | 119,40 |
| 203109 | 50x1"x1" | 50 | 119,40 |
| 203110 | 50x1 1/4"x1 1/4" | 45 | 145,75 |
| 203111 | 50x1 1/2"x1 1/2" | 45 | 145,75 |
| 203112 | 63x1/2"x1/2" | 35 | 181,60 |
| 203113 | 63x3/4"x3/4" | 35 | 181,60 |
| 203114 | 63x1"x1" | 35 | 181,60 |
| 203115 | 63x1 1/4"x1 1/4" | 30 | 226,20 |
| 203116 | 63x1 1/2"x1 1/2" | 30 | 226,20 |
| 203117 | 63x2"x2" | 30 | 226,20 |
| 203118 | 75x1/2"x1/2" | 30 | 222,60 |
| 203119 | 75x3/4"x3/4" | 30 | 222,60 |
| 203120 | 75x1"x1" | 30 | 222,60 |
| 203121 | 75x1 1/4"x1 1/4" | 35 | 256,85 |
| 203122 | 75x1 1/2"x1 1/2" | 35 | 256,85 |
| 203123 | 75x2"x2" | 35 | 256,85 |
| 203124 | 90x1/2"x1/2" | 24 | 227,35 |
| 203125 | 90x3/4"x3/4" | 24 | 227,35 |
| 203126 | 90x1"x1" | 24 | 227,35 |
| 203127 | 90x1 1/4"x1 1/4" | 24 | 284,20 |
| 203128 | 90x1 1/2"x1 1/2" | 24 | 284,20 |

| KODU | ÖLÇÜ | ÇUVAL Adet | FİYAT |
|---------|-------------------|---------------|----------|
| 203129 | 90x2"x2" | 24 | 284,20 |
| 203130 | 110x1/2"x1/2" | 18 | 275,20 |
| 2031291 | 110x3/4"x3/4" | 18 | 275,20 |
| 2031301 | 110x1"x1" | 18 | 275,20 |
| 203131 | 110x1 1/4"x1 1/4" | 18 | 328,15 |
| 203132 | 110x1 1/2"x1 1/2" | 18 | 328,15 |
| 203133 | 110x2"x2" | 18 | 328,15 |
| 203134 | 110x2 1/2"x2 1/2" | 15 | 725,75 |
| 203135 | 110x3"x3" | 15 | 725,75 |
| 203136 | 125x1/2"x1/2" | 10 | 647,50 |
| 203137 | 125x3/4"x3/4" | 8 | 647,50 |
| 203138 | 125x1"x1" | 8 | 647,50 |
| 203139 | 125x1 1/4"x1 1/4" | 8 | 647,50 |
| 203140 | 125x1 1/2"x1 1/2" | 8 | 647,50 |
| 203141 | 125x2"x2" | 8 | 647,50 |
| 203142 | 140x1/2"x1/2" | 10 | 908,20 |
| 203143 | 140x3/4"x3/4" | 10 | 908,20 |
| 203144 | 140x1"x1" | 10 | 908,20 |
| 203145 | 140x1 1/4"x1 1/4" | 10 | 908,20 |
| 203146 | 140x1 1/2"x1 1/2" | 10 | 908,20 |
| 203147 | 140x2"x2" | 10 | 908,20 |
| 203148 | 160x1/2"x1/2" | 8 | 1.038,00 |
| 203149 | 160x3/4"x3/4" | 8 | 1.038,00 |
| 203150 | 160x1"x1" | 8 | 1.038,00 |
| 203151 | 160x1 1/4"x1 1/4" | 8 | 1.038,00 |
| 203152 | 160x1 1/2"x1 1/2" | 8 | 1.038,00 |
| 203153 | 160x2"x2" | 8 | 1.038,00 |
| 203154 | 160x2 1/2"x2 1/2" | 8 | 1.699,75 |
| 203155 | 160x3"x3" | 8 | 1.699,75 |



STOPLU KIZAKLI PRİZ KOLYE

STOPLU KIZAKLI ÇİFT ÇIKIŞLI PRİZ KOLYE



| KODU | ÖLÇÜ | ÇUVAL Adet | FİYAT |
|--------|------------|---------------|--------|
| 203201 | 32 x 1/2" | 300 | 63,90 |
| 203202 | 32 x 3/4" | 300 | 63,90 |
| 203203 | 40 x 1/2" | 250 | 95,65 |
| 203204 | 40 x 3/4" | 250 | 95,65 |
| 203205 | 50 x 1/2" | 110 | 151,45 |
| 203206 | 50 x 3/4" | 110 | 151,45 |
| 203207 | 50 x 1" | 110 | 151,45 |
| 203208 | 63 x 1/2" | 95 | 158,40 |
| 203209 | 63 x 3/4" | 95 | 158,40 |
| 203210 | 63 x 1" | 95 | 158,40 |
| 203211 | 75 x 1/2" | 70 | 208,75 |
| 203212 | 75 x 3/4" | 70 | 208,75 |
| 203213 | 75 x 1" | 70 | 208,75 |
| 203214 | 90 x 1/2" | 65 | 271,05 |
| 203215 | 90 x 3/4" | 65 | 271,05 |
| 203216 | 90 x 1" | 65 | 271,05 |
| 203217 | 110 x 1/2" | 45 | 324,50 |
| 203218 | 110 x 3/4" | 45 | 324,50 |
| 203219 | 110 x 1" | 45 | 324,50 |



| KODU | ÖLÇÜ | ÇUVAL Adet | FİYAT |
|--------|---------------|---------------|--------|
| 203301 | 32x1/2"x1/2" | 250 | 99,55 |
| 203302 | 32x3/4"x3/4" | 250 | 99,55 |
| 203303 | 40x1/2"x1/2" | 230 | 104,70 |
| 203304 | 40x3/4"x3/4" | 230 | 104,70 |
| 203305 | 50x1/2"x1/2" | 95 | 162,70 |
| 203306 | 50x3/4"x3/4" | 95 | 162,70 |
| 203307 | 50x1"x1" | 95 | 162,70 |
| 203308 | 63x1/2"x1/2" | 80 | 167,90 |
| 203309 | 63x3/4"x3/4" | 80 | 167,90 |
| 203310 | 63x1"x1" | 80 | 167,90 |
| 203311 | 75x1/2"x1/2" | 65 | 217,80 |
| 203312 | 75x3/4"x3/4" | 65 | 217,80 |
| 203313 | 75x1"x1" | 65 | 217,80 |
| 203314 | 90x1/2"x1/2" | 50 | 311,65 |
| 203315 | 90x3/4"x3/4" | 50 | 311,65 |
| 203316 | 90x1"x1" | 50 | 311,65 |
| 203317 | 110x1/2"x1/2" | 45 | 373,00 |
| 203318 | 110x3/4"x3/4" | 45 | 373,00 |
| 203319 | 110x1"x1" | 45 | 373,00 |

KAPLİN PRİZ KOLYE



| KODU | ÖLÇÜ | ÇUVAL Adet | FİYAT |
|-------|------------|---------------|--------|
| C0510 | 50 x 1/2" | 100 | 94,10 |
| C0511 | 50 x 3/4" | 100 | 94,10 |
| C0512 | 50 x 1" | 100 | 94,10 |
| C0513 | 63 x 1/2" | 75 | 142,20 |
| C0514 | 63 x 3/4" | 75 | 142,20 |
| C0515 | 63 x 1" | 75 | 142,20 |
| C0516 | 75 x 1/2" | 50 | 164,50 |
| C0517 | 75 x 3/4" | 50 | 164,50 |
| C0518 | 75 x 1" | 50 | 164,50 |
| C0519 | 90 x 1/2" | 45 | 196,45 |
| C0520 | 90 x 3/4" | 45 | 196,45 |
| C0521 | 90 x 1" | 45 | 196,45 |
| C0522 | 110 x 1/2" | 35 | 221,15 |
| C0523 | 110 x 3/4" | 35 | 221,15 |
| C0524 | 110 x 1" | 35 | 221,15 |



PVC DİRSEK



| KODU | ÖLÇÜ | ÇUVAL Adet | FİYAT |
|--------|------|------------|--------|
| 204101 | ½" | 800 | 47,70 |
| 204102 | ¾" | 500 | 66,00 |
| 204103 | 1" | 300 | 79,70 |
| 204104 | 1¼" | 200 | 123,65 |
| 204105 | 1½" | 150 | 184,10 |
| 204106 | 2" | 100 | 258,25 |
| 204107 | 2½" | 50 | 494,50 |
| 204108 | 3" | 30 | 686,80 |
| 204109 | 4" | 18 | 824,15 |

PVC NİPEL



| KODU | ÖLÇÜ | ÇUVAL Adet | FİYAT |
|--------|------|------------|--------|
| 204201 | ½" | 1.700 | 16,20 |
| 204202 | ¾" | 1.000 | 20,35 |
| 204203 | 1" | 700 | 31,60 |
| 204204 | 1¼" | 450 | 40,95 |
| 204205 | 1½" | 300 | 53,60 |
| 204206 | 2" | 200 | 68,15 |
| 204207 | 2½" | 125 | 107,15 |
| 204208 | 3" | 80 | 157,95 |
| 204209 | 4" | 45 | 246,15 |

PVC TE



| KODU | ÖLÇÜ | ÇUVAL Adet | FİYAT |
|--------|------|------------|----------|
| 204001 | ½" | 500 | 90,60 |
| 204002 | ¾" | 350 | 112,65 |
| 204003 | 1" | 200 | 134,65 |
| 204004 | 1¼" | 150 | 203,30 |
| 204005 | 1½" | 100 | 307,70 |
| 204006 | 2" | 60 | 409,35 |
| 204007 | 2½" | 30 | 645,60 |
| 204008 | 3" | 22 | 934,00 |
| 204009 | 4" | 12 | 1.181,25 |

PVC MANŞON



| KODU | ÖLÇÜ | ÇUVAL Adet | FİYAT |
|------|------|------------|--------|
| D270 | ½" | 1.200 | 25,60 |
| D271 | ¾" | 800 | 30,75 |
| D272 | 1" | 500 | 46,20 |
| D273 | 1¼" | 300 | 77,10 |
| D274 | 1½" | 250 | 80,70 |
| D275 | 2" | 160 | 106,30 |
| D276 | 2½" | 100 | 149,20 |
| D277 | 3" | 60 | 195,40 |
| D278 | 4" | 35 | 309,05 |

PVC TAPA



| KODU | ÖLÇÜ | ÇUVAL Adet | FİYAT |
|--------|------|------------|--------|
| 204501 | ½" | 3.000 | 16,50 |
| 204502 | ¾" | 2.000 | 19,25 |
| 204503 | 1" | 1.200 | 23,40 |
| 204504 | 1¼" | 700 | 43,95 |
| 204505 | 1½" | 500 | 60,45 |
| 204506 | 2" | 300 | 90,65 |
| 204507 | 2½" | 160 | 178,55 |
| 204508 | 3" | 130 | 219,80 |
| 204509 | 4" | 70 | 384,60 |

PVC HORTUM REKORU



| KODU | ÖLÇÜ | ÇUVAL Adet | FİYAT |
|--------|------|------------|--------|
| 205101 | ½" | 1.800 | 23,10 |
| 205102 | ¾" | 1.200 | 24,75 |
| 205103 | 1" | 700 | 37,95 |
| 205104 | 1¼" | 400 | 45,35 |
| 205105 | 1½" | 250 | 53,60 |
| 205106 | 2" | 190 | 65,95 |
| 205107 | 2½" | 100 | 123,65 |
| 205108 | 3" | 65 | 189,55 |
| 205109 | 4" | 35 | 263,75 |



PVC REDÜKSİYON



| KODU | ÖLÇÜ | ÇUVAL Adet | FİYAT |
|--------|-----------|---------------|--------|
| 204401 | ¾" x ½" | 2.500 | 31,35 |
| 204402 | 1" x ½" | 1.200 | 42,60 |
| 204403 | 1" x ¾" | 1.200 | 42,60 |
| 204404 | 1¼" x ½" | 900 | 76,95 |
| 204405 | 1¼" x ¾" | 800 | 76,95 |
| 204406 | 1¼" x 1" | 900 | 76,95 |
| 204407 | 1½" x ½" | 500 | 79,70 |
| 204408 | 1½" x ¾" | 500 | 79,70 |
| 204409 | 1½" x 1" | 600 | 79,70 |
| 204410 | 1½" x 1¼" | 500 | 79,70 |
| 204411 | 2" x ½" | 300 | 104,40 |
| 204412 | 2" x ¾" | 300 | 104,40 |
| 204413 | 2" x 1" | 300 | 104,40 |
| 204414 | 2" x 1¼" | 300 | 104,40 |
| 204415 | 2" x 1½" | 350 | 104,40 |
| 204416 | 2½" x ¾" | 200 | 156,60 |
| 204417 | 2½" x 1" | 200 | 156,60 |
| 204418 | 2½" x 1¼" | 200 | 156,60 |
| 204419 | 2½" x 1½" | 200 | 156,60 |
| 204420 | 2½" x 2" | 200 | 156,60 |
| 204421 | 3" x 1" | 140 | 189,55 |
| 204423 | 3" x 1¼" | 140 | 189,55 |
| 204424 | 3" x 1½" | 140 | 189,55 |
| 204425 | 3" x 2" | 150 | 189,55 |
| 204426 | 3" x 2½" | 150 | 189,55 |
| 204427 | 4" x 1" | 80 | 321,40 |
| 204428 | 4" x 1¼" | 80 | 321,40 |
| 204429 | 4" x 1½" | 80 | 321,40 |
| 204430 | 4" x 2" | 80 | 321,40 |
| 204431 | 4" x 2½" | 80 | 321,40 |
| 204432 | 4" x 3" | 90 | 321,40 |

PVC HORTUM EKİ



| KODU | ÖLÇÜ | ÇUVAL Adet | FİYAT |
|--------|------|---------------|--------|
| 205201 | ½" | 2.000 | 18,45 |
| 205202 | ¾" | 1.500 | 19,80 |
| 205203 | 1" | 800 | 30,25 |
| 205204 | 1¼" | 500 | 37,95 |
| 205205 | 1½" | 320 | 44,80 |
| 205206 | 2" | 210 | 65,95 |
| 205207 | 2½" | 100 | 123,65 |
| 205208 | 3" | 55 | 164,30 |
| 205209 | 4" | 30 | 219,80 |

PVC DIŞ DIŞLI TE



| KODU | ÖLÇÜ | ÇUVAL Adet | FİYAT |
|--------|------|---------------|--------|
| 202101 | ½" | 1.100 | 63,50 |
| 202102 | ¾" | 600 | 73,10 |
| 202103 | 1" | 350 | 87,40 |
| 202104 | 1¼" | 200 | 132,15 |
| 202105 | 1½" | 150 | 200,00 |
| 202106 | 2" | 80 | 265,95 |
| 202107 | 2½" | 50 | 419,50 |
| 202108 | 3" | 30 | 607,10 |
| 202109 | 4" | 15 | 906,55 |

PVC DIŞ DIŞLI DİRSEK



| KODU | ÖLÇÜ | ÇUVAL Adet | FİYAT |
|--------|------|---------------|--------|
| 202001 | ½" | 1.400 | 30,25 |
| 202002 | ¾" | 900 | 42,90 |
| 202003 | 1" | 500 | 51,65 |
| 202004 | 1¼" | 350 | 80,25 |
| 202005 | 1½" | 200 | 119,50 |
| 202006 | 2" | 140 | 167,85 |
| 202007 | 2½" | 80 | 321,45 |
| 202008 | 3" | 45 | 446,40 |
| 202009 | 4" | 25 | 659,30 |

PVC İÇ DİŞLİ KRUVA TE



| KODU | ÖLÇÜ | ÇUVAL Adet | FİYAT |
|--------|--------|------------|----------|
| 206307 | 1/2" | 400 | 120,20 |
| 206308 | 3/4" | 250 | 240,40 |
| 206309 | 1" | 160 | 309,05 |
| 206310 | 1 1/4" | 100 | 306,60 |
| 206311 | 1 1/2" | 80 | 600,95 |
| 206312 | 2" | 50 | 669,60 |
| 206313 | 2 1/2" | 25 | 689,55 |
| 206314 | 3" | 18 | 1.545,25 |
| 206315 | 4" | 9 | 2.060,30 |

PVC DİŞ DİŞ * İÇ DİŞ DİRSEK



| KODU | ÖLÇÜ | ÇUVAL Adet | FİYAT |
|--------|--------|------------|--------|
| 206106 | 1/2" | 900 | 38,80 |
| 206107 | 3/4" | 600 | 54,95 |
| 206108 | 1" | 400 | 66,10 |
| 206109 | 1 1/4" | 250 | 102,70 |
| 206110 | 1 1/2" | 150 | 152,80 |
| 206111 | 2" | 100 | 214,65 |
| 206112 | 2 1/2" | 55 | 408,30 |
| 206113 | 3" | 35 | 558,00 |
| 206114 | 4" | 18 | 824,15 |

PVC DİŞ DİŞ * İÇ DİŞ DİRSEK



| KODU | ÖLÇÜ | ÇUVAL Adet | FİYAT |
|--------|-----------------|------------|--------|
| 206201 | 3/4" x 1/2" | 900 | 79,05 |
| 206202 | 1" x 3/4" | 600 | 113,75 |
| 206203 | 1 1/4" x 1" | 300 | 127,10 |
| 206204 | 1 1/2" x 1 1/4" | 190 | 139,55 |
| 206205 | 2" x 1 1/2" | 130 | 152,40 |

PVC DİŞ DİŞ * İÇ DİŞ TE



| KODU | ÖLÇÜ | ÇUVAL Adet | FİYAT |
|--------|-----------------|------------|--------|
| 206101 | 3/4" x 1/2" | 500 | 88,85 |
| 206102 | 1" x 3/4" | 350 | 124,05 |
| 206103 | 1 1/4" x 1" | 200 | 155,40 |
| 206104 | 1 1/2" x 1 1/4" | 130 | 174,70 |
| 206105 | 2" x 1 1/2" | 90 | 215,05 |

PVC DİŞ DİŞ * İÇ DİŞ KRUVA TE



| KODU | ÖLÇÜ | ÇUVAL Adet | FİYAT |
|--------|-----------------|------------|--------|
| 206301 | 3/4" x 1/2" | 350 | 107,30 |
| 206302 | 1" x 3/4" | 250 | 141,65 |
| 206303 | 1 1/4" x 1" | 130 | 245,10 |
| 206304 | 1 1/2" x 1 1/4" | 85 | 318,50 |
| 206305 | 2" x 1 1/2" | 65 | 452,45 |
| 206306 | 2 1/2" x 2" | 35 | 861,90 |

REDÜKSİYON NİPEL



| KODU | ÖLÇÜ | ÇUVAL Adet | FİYAT |
|--------|-------------|------------|-------|
| 206007 | 3/4" x 1/2" | 160 | 20,85 |
| 206008 | 1" x 1/2" | 90 | 27,85 |
| 206009 | 1" x 3/4" | 85 | 26,55 |

PVC DİŞ DİŞ * İÇ DİŞ TE



| KODU | ÖLÇÜ | ÇUVAL Adet | FİYAT |
|--------|--------|------------|--------|
| 206211 | 1 1/2" | 100 | 239,00 |
| 206212 | 2" | 50 | 348,90 |

PVC DİŞ DİŞ * İÇ DİŞ TAPA



| KODU | ÖLÇÜ | ÇUVAL Adet | FİYAT |
|--------|-----------------|------------|-------|
| 206206 | 3/4" x 1/2" | 1400 | 30,95 |
| 206207 | 1" x 3/4" | 1100 | 46,40 |
| 206208 | 1 1/4" x 1" | 450 | 51,95 |
| 206209 | 1 1/2" x 1 1/4" | 300 | 65,70 |
| 206210 | 2" x 1 1/2" | 200 | 98,75 |



PVC REDÜKSİYON HORTUM REKORU



| KODU | ÖLÇÜ | ÇUVAL Adet | FİYAT |
|-------|-----------|------------|--------|
| D0290 | ¾" x ½" | 1.300 | 24,05 |
| D0291 | 1" x ¾" | 750 | 37,80 |
| D0292 | 1¼" x 1" | 400 | 44,65 |
| D0293 | 1½" x 1¼" | 300 | 53,25 |
| D0294 | 2" x 1½" | 200 | 65,95 |
| D0295 | 2½" x 2" | 120 | 123,65 |
| D0296 | 3" x 2½" | 90 | 188,90 |
| D0297 | 4" x 3" | 45 | 262,70 |

PVC DIŞ DIŞ * İÇ DIŞ MANŞON



| KODU | ÖLÇÜ | ÇUVAL Adet | FİYAT |
|--------|-----------|------------|--------|
| 206001 | ¾" x ½" | 800 | 62,70 |
| 206002 | 1" x ¾" | 400 | 72,55 |
| 206003 | 1¼" x 1" | 300 | 80,70 |
| 206004 | 1½" x 1¼" | 160 | 91,85 |
| 206005 | 2" x 1½" | 100 | 124,50 |

KAPLİN KAYAR MANŞON



| KODU | ÖLÇÜ | ÇUVAL Adet | FİYAT |
|--------|-----------|------------|----------|
| 205201 | 50 x 50 | 30 | 476,10 |
| 205202 | 63 x 63 | 20 | 659,30 |
| 205203 | 75 x 75 | 13 | 1.388,60 |
| 205204 | 90 x 90 | 6 | 1.936,15 |
| 205205 | 110 x 110 | 4 | 3.041,80 |

BORU UCU DÜZELTME APARATI



| KODU | ÖLÇÜ | ÇUVAL Adet | FİYAT |
|--------|----------------------|------------|--------|
| 207101 | 20x25x32 40x50x63 | 300 | 593,40 |
| 207102 | 75x90x110 | 100 | 857,10 |

PVC ADAPTÖR SIKMA ANAHTARI



| KODU | ÖLÇÜ | ÇUVAL Adet | FİYAT |
|--------|-------------|------------|--------|
| 204601 | 25 x 32 | 700 | 119,00 |
| 204602 | 40x50x63x75 | 230 | 333,80 |
| 204603 | 90x110x125 | 50 | 422,80 |

YER MUSLUĞU ve SPRİNG BAĞ. APARATI



| KODU | ÖLÇÜ | ÇUVAL Adet | FİYAT |
|-------|------|------------|--------|
| YS001 | ¾" | 50 | 689,10 |

MTT * 100 KOLLEKTÖR TE



| KODU | ÖLÇÜ | ÇUVAL Adet | FİYAT |
|-------|----------|------------|--------|
| M0090 | 1"x1"x1" | 264 | 108,75 |

VANA KUTUSU



| KODU | ÖLÇÜ | ADET | FİYAT |
|--------|--------------|------|----------|
| 205301 | 6" | | 401,00 |
| 205302 | 10" | | 710,00 |
| 250516 | 12" Standart | | 1.332,00 |
| 205304 | 12" Jumbo | | 2.023,00 |



JUMBO EL SÜZEĞİ

| KOD | ÖLÇÜ | KOLİ ADET | FİYAT |
|--------|------|-----------|--------|
| 309601 | | 25 | 384,00 |



UZUN EL SÜZEĞİ DİRSEKLI

| KOD | ÖLÇÜ | KOLİ ADET | FİYAT |
|--------|------|-----------|--------|
| 309701 | | 75 | 138,00 |



UZUN EL SÜZEĞİ

| KOD | ÖLÇÜ | KOLİ ADET | FİYAT |
|--------|------|-----------|--------|
| 309801 | | 75 | 120,00 |



3 KOLLU ÇİM FİSKİYESİ

| KOD | ÖLÇÜ | KOLİ ADET | FİYAT |
|--------|------|-----------|--------|
| 310201 | | 90 | 106,00 |



4 KOLLU ÇİM FİSKİYESİ

| KOD | ÖLÇÜ | KOLİ ADET | FİYAT |
|--------|------|-----------|--------|
| 310301 | | 75 | 114,00 |



2 KOLLU ÇİM FİSKİYESİ

| KOD | ÖLÇÜ | KOLİ ADET | FİYAT |
|--------|------|-----------|-------|
| 310401 | | 100 | 96,00 |



PVC DÖNER ÇİM FİSKİYESİ

| KOD | ÖLÇÜ | KOLİ ADET | FİYAT |
|--------|------|-----------|-------|
| 310501 | | 150 | 70,00 |



TURBO 3 KOLLU ÇİM FİSKİYESİ

| KOD | ÖLÇÜ | KOLİ ADET | FİYAT |
|--------|------|-----------|--------|
| 310601 | | 60 | 120,00 |



5 KOLLU ÇİM FİSKİYESİ

| KOD | ÖLÇÜ | KOLİ ADET | FİYAT |
|--------|------|-----------|--------|
| 310701 | | 50 | 162,00 |



SEHPA AYAK

| KOD | ÖLÇÜ | KOLİ ADET | FİYAT |
|--------|------|-----------|--------|
| 310901 | | 80 | 150,00 |



JUMBO AYAK

| KOD | ÖLÇÜ | KOLİ ADET | FİYAT |
|--------|------|-----------|--------|
| 310902 | | 50 | 240,00 |



KAZIK AYAK

| KOD | ÖLÇÜ | KOLİ ADET | FİYAT |
|--------|------|-----------|-------|
| 310801 | | 300 | 32,00 |



LÜKS REKORLU 6 NOZUL TABANCA

| KOD | ÖLÇÜ | KOLİ ADET | FİYAT |
|--------|------|-----------|--------|
| 312401 | | 25 | 378,00 |



KROM 6 NOZUL TABANCA

| KOD | ÖLÇÜ | KOLİ ADET | FİYAT |
|--------|------|-----------|--------|
| 318101 | | 25 | 780,00 |



6 FONKSİYONLU SU TABANCASI

| KOD | ÖLÇÜ | KOLİ ADET | FİYAT |
|--------|------|-----------|--------|
| 306301 | | 20 | 528,00 |



TETİKLİ SU TABANCASI REKORLU

| KOD | ÖLÇÜ | KOLİ ADET | FİYAT |
|--------|------|-----------|--------|
| 312201 | | 40 | 228,00 |



TETİKLİ SÜZEK TABANCASI REKORLU

| KOD | ÖLÇÜ | KOLİ ADET | FİYAT |
|--------|------|-----------|--------|
| 312301 | | 30 | 252,00 |



AYARLI HORTUM LANSİ

| KOD | ÖLÇÜ | KOLİ ADET | FİYAT |
|--------|------|-----------|--------|
| 311101 | 1/2" | 250 | 82,00 |
| 311102 | 3/4" | 150 | 108,00 |
| 311103 | 1" | 100 | 336,00 |



JAK REKORU

| KOD | ÖLÇÜ | KOLİ ADET | FİYAT |
|--------|------------|-----------|-------|
| 301201 | 3/4"x 1/2" | 750 | 52,00 |
| 301202 | 1/2" | 1000 | 36,00 |
| 301203 | 3/4" | 1000 | 36,00 |



AYARLI HORTUM TE

| KOD | ÖLÇÜ | KOLİ ADET | FİYAT |
|--------|------------------|-----------|--------|
| 303401 | 1/2" | 150 | 114,00 |
| 303402 | 3/4" | 120 | 144,00 |
| 304101 | 3/4"x 1/2"x 3/4" | 120 | 144,00 |



JAK EKLEME

| KOD | ÖLÇÜ | KOLİ ADET | FİYAT |
|--------|------|-----------|-------|
| 300101 | 1/2" | 250 | 66,00 |
| 300102 | 3/4" | 250 | 87,00 |



AYARLI HORTUM EKİ

| KOD | ÖLÇÜ | KOLİ ADET | FİYAT |
|--------|------|-----------|--------|
| 302301 | 1/2" | 400 | 48,00 |
| 302302 | 3/4" | 250 | 102,00 |
| 302303 | 1" | 150 | 162,00 |



STOŞLU JAK EKLEME

| KOD | ÖLÇÜ | KOLİ ADET | FİYAT |
|-----|------|-----------|-------|
| 314 | 1/2" | 250 | 78,00 |



STOŞLU JAK EKLEME

| KOD | ÖLÇÜ | KOLİ ADET | FİYAT |
|-----|------|-----------|-------|
| 315 | 3/4" | 250 | 96,00 |



HORTUM REDÜKSİYON

| KOD | ÖLÇÜ | KOLİ ADET | FİYAT |
|--------|------------|-----------|--------|
| 308501 | ¾"x½" | 1250 | 12,00 |
| 308502 | ¾"x5/8" | 1250 | 20,00 |
| 308503 | 1"x½"x 5/8 | 650 | 27,00 |
| 308504 | 1"x¾" | 700 | 27,00 |
| 308505 | 1¼"x 1" | 400 | 30,00 |
| 308506 | 1½"x 1¼" | 210 | 80,00 |
| 308507 | 2"x 1½" | 210 | 102,00 |



PVC HORTUM EKİ

| KOD | ÖLÇÜ | KOLİ ADET | FİYAT |
|--------|------|-----------|-------|
| 305201 | ½" | 1600 | 6,00 |
| 305202 | 5/8" | 1200 | 9,00 |
| 305203 | ¾" | 750 | 14,00 |
| 305204 | 1" | 440 | 20,00 |
| 305205 | 1¼" | 270 | 31,00 |
| 305206 | 1½" | 168 | 45,00 |
| 305207 | 2" | 90 | 58,00 |



PVC HORTUM TE

| KOD | ÖLÇÜ | KOLİ ADET | FİYAT |
|--------|---------|-----------|--------|
| 307401 | ½"x5/8" | 600 | 23,00 |
| 307402 | ¾" | 250 | 46,00 |
| 307403 | 1" | 300 | 46,00 |
| 307404 | 1¼" | 120 | 72,00 |
| 307405 | 1½" | 100 | 99,00 |
| 307406 | 2" | 50 | 150,00 |



PVC DEPO REKORU

| KOD | ÖLÇÜ | KOLİ ADET | FİYAT |
|--------|------|-----------|--------|
| 314101 | ½" | 400 | 100,00 |
| 314102 | ¾" | 400 | 100,00 |
| 314103 | 1" | 250 | 108,00 |
| 314104 | 1¼" | 125 | 162,00 |
| 314105 | 1½" | 125 | 180,00 |
| 314106 | 2" | 75 | 222,00 |
| 314107 | 3" | 25 | 504,00 |
| 314108 | 4" | 18 | 648,00 |



PVC SİNTİNE REKORU

| KOD | ÖLÇÜ | KOLİ ADET | FİYAT |
|--------|------|-----------|--------|
| 316301 | ¾" | 350 | 96,00 |
| 316302 | 1" | 200 | 96,00 |
| 316303 | 1¼" | 125 | 138,00 |
| 316304 | 1½" | 125 | 156,00 |



ÖZEL DEPO REKORU

| KOD | ÖLÇÜ | KOLİ ADET | FİYAT |
|--------|------|-----------|-------|
| 315201 | 1" | 200 | 78,00 |
| 315202 | 1¼" | 180 | 78,00 |
| 315203 | 1½" | 160 | 78,00 |
| 315204 | ½" | 200 | 78,00 |
| 315205 | ¾" | 150 | 78,00 |



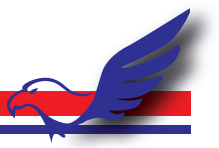
PVC BİDON MUSLUĞU

| KOD | ÖLÇÜ | PAKET | FİYAT |
|--------|------|-------|--------|
| 313506 | | 25 | 120,00 |



ÇİFT TARAFLI DEPO REKORU

| KOD | ÖLÇÜ | KOLİ ADET | FİYAT |
|--------|------|-----------|-------|
| 317101 | ½" | | 78,00 |
| 317102 | ¾" | | 87,00 |
| 317103 | 1" | | 94,00 |



PVC KÜRESEL VANA



| KODU | ÖLÇÜ | KOLİ ADET | FİYAT |
|--------|--------|-----------|----------|
| 112101 | 1/2" | 250 | 84,00 |
| 112102 | 3/4" | 150 | 118,00 |
| 112103 | 1" | 90 | 138,00 |
| 112104 | 1 1/4" | 60 | 198,00 |
| 112105 | 1 1/2" | 50 | 240,00 |
| 112106 | 2" | 30 | 384,00 |
| 112107 | 2 1/2" | 14 | 816,00 |
| 112108 | 3" | 8 | 1.128,00 |
| 112109 | 4" | 4 | 1.608,00 |



PVC KLEPE

| KOD | ÖLÇÜ | KOLİ ADET | FİYAT |
|--------|--------|-----------|----------|
| 205001 | 1" | 25 | 546,00 |
| 205002 | 1 1/4" | 25 | 564,00 |
| 205003 | 1 1/2" | 25 | 648,00 |
| 205004 | 2" | 25 | 654,00 |
| 205016 | 2 1/2" | 5 | 1.740,00 |
| 205017 | 3" | 5 | 1.752,00 |
| 205018 | 4" | 5 | 1.920,00 |



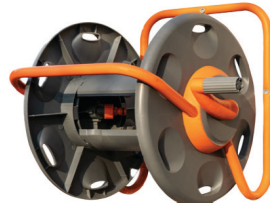
HORTUM ARABASI

| KOD | ÖLÇÜ | KOLİ ADET | FİYAT |
|--------|------|-----------|----------|
| 313601 | | 5 | 2.760,00 |



HORTUM TAMBURU

| KOD | ÖLÇÜ | KOLİ ADET | FİYAT |
|--------|------|-----------|----------|
| 313501 | | 5 | 2.340,00 |



DUVAR TİPİ HORTUM ASKISI

| KOD | ÖLÇÜ | KOLİ ADET | FİYAT |
|-----|------|-----------|----------|
| 181 | | 6 | 2.340,00 |



HORTUM ASKISI

| KOD | ÖLÇÜ | KOLİ ADET | FİYAT |
|-----|------|-----------|--------|
| 185 | | 48 | 222,00 |



**KARTAL YAĞMURLAMA BAŞLIĞI YEDEK PARÇA FİYATLARI
(FİYATLAR NET)**

| KODU | ÜRÜN AÇIKLAMASI | NET FİYAT |
|------|-------------------------------|-----------|
| K100 | SEKİZ KÖŞE | 3.125,00 |
| K101 | MARPUÇ | 1.462,00 |
| K102 | KANATLI BORU | 1.577,00 |
| K103 | ALÜMİNYUM DİRSEK | 790,00 |
| K104 | KAŞIK BAĞLANTI BRAKET ve MİLİ | 714,00 |
| K105 | AÇI AYAR MİLİ | 284,00 |
| K106 | TOPUZ | 306,00 |
| K107 | ALT ELEMAN | 320,00 |
| K108 | ÜST ELEMAN | 320,00 |
| K109 | SIKSARIM YAYI | 219,00 |
| K110 | KAŞIK AYAR VİDASI | 306,00 |
| K111 | M6 SU YARMA VİDASI | 71,00 |
| K112 | KAŞIK ALT BURÇ | 219,00 |
| K113 | ÇARPMA TOPUZ PULU | 38,00 |
| K114 | KONTRA SOMUN | 231,00 |
| K115 | KAŞIK ÜST BURÇ | 306,00 |
| K116 | ÇELİK CONTA | 71,00 |
| K117 | M6 KONİK YAY | 21,00 |
| K118 | 6*28 YARIK PİM | 41,00 |
| K119 | 8*28 YARIK PİM | 41,00 |
| K120 | 10*35 CİVATA | 41,00 |
| K121 | MİSKET | 28,00 |
| K122 | GRESÖRLÜK | 41,00 |
| K123 | M6*16 VİDA | 28,00 |
| K124 | 8*40 PERÇİN | 41,00 |
| K125 | SU YARMA PARÇASI | 398,00 |
| K126 | KAŞIK KOMPLE | 2.547,00 |
| K127 | M10 SOMUN | 41,00 |
| K128 | M8 SOMUN | 41,00 |
| K129 | M14 SOMUN | 59,00 |
| K130 | UZUN ÇİVİ | 28,00 |
| K131 | KISA ÇİVİ | 28,00 |
| K132 | MEKANİZMA YAYI | 59,00 |
| K133 | 8*45 AÇI AYAR VİDASI | 110,00 |
| K134 | AÇI AYAR KESİCİ PİM | 150,00 |
| K135 | KEÇE CONTA | 84,00 |
| K136 | 63*3 ORİNG SLİKONLU CONTA | 87,00 |
| K137 | KAŞIK ÇARPMA PLASTİK | 29,00 |
| K138 | 16 NOZUL | 41,00 |
| K139 | 18 NOZUL | 41,00 |
| K140 | 20 NOZUL | 53,00 |
| K141 | 22 NOZUL | 53,00 |
| K142 | 5.5 NOZUL | 28,00 |
| K143 | MEKANİZMA KOMPLE TK. | 2.052,00 |



ATMACA YAĞMURLAMA BAŞLIĞI YEDEK PARÇA FİYATLARI
(FİYATLAR NET)

| KODU | ÜRÜN AÇIKLAMASI | NET FİYAT |
|------|------------------------|-----------|
| A200 | ALÜMİNYUM GÖVDE | 473,00 |
| A201 | KAŞIK | 336,00 |
| A202 | SIKSARIM YAYI | 117,00 |
| A203 | BASKI YAYI | 86,00 |
| A204 | MEKANİZMA YAYI | 57,00 |
| A205 | M6 SU YARMA VİDASI | 57,00 |
| A206 | MARKUÇ (Sarı Prinç) | 551,00 |
| A207 | 11/2" REKOR | 400,00 |
| A208 | 11/2"x1" REDÜKSİYON | 46,00 |
| A209 | KÜLLAH | 57,00 |
| A210 | KAŞIK BURÇ | 32,00 |
| A211 | 45*30.5*2 TEFLON | 46,00 |
| A212 | 38*30.5*2 TEFLON | 46,00 |
| A213 | 20*10.5*1.5 TEFLON | 32,00 |
| A214 | DÜZ CONTA | 18,00 |
| A215 | KEÇE TİP CONTA | 18,00 |
| A216 | ŞAPKALI CONTA | 18,00 |
| A217 | AÇI AYAR KELEPÇESİ | 99,00 |
| A218 | M6 KONİK YAY | 18,00 |
| A219 | M6 KISA YAY | 18,00 |
| A220 | SU YARMA PARÇASI TAKIM | 117,00 |
| A221 | KAŞIK ÇARPMA PLASTİK | 26,00 |
| A222 | 10 NOZUL | 32,00 |
| A223 | 12 NOZUL | 32,00 |
| A224 | 14 NOZUL | 35,00 |
| A225 | 16 NOZUL | 35,00 |
| A226 | 2.5*30 KOPİLYA | 18,00 |
| A227 | SU YÖNLENDİRİCİ | 32,00 |
| A228 | ARKA KAPAK | 32,00 |
| A229 | MEKANİZMA TAKIM | 86,00 |



T.C.
TARIM VE ORMAN BAKANLIĞI
Tarım Reformu Genel Müdürlüğü

Belge No: 1719/2023-995

.../.../2023

KREDİ UYGUNLUK BELGESİ

Ziya Balcı Kartal Tarımsal Sulama Sistemleri(Güllü Bağlar Mahallesi Mazhar Sk. No: 16/2 Pendik/İSTANBUL) tarafından imal edilen ve aşağıda nitelikleri, deney raporu tarih ve numarası belirtilen tarımsal mekanizasyon aracının deney raporuna istinaden düzenlenmiş bu belge, 09/10/2020 tarihli ve 31269 sayılı Resmi Gazete' de yayımlanarak yürürlüğe giren "Tarım Makineleri ve Tarım Teknolojisi Araçlarının Deney ve Denetim Esaslarına İlişkin Yönetmelik" hükümleri gereğince verilmiştir. İş bu belge, Deney Raporunun düzenlenme tarihinden itibaren beş (5) yıl süre ile geçerli olup; söz konusu Araç tarımsal faaliyetler dışında kullanılamaz.

Vergi No : 40984511642

Aracın Markası, Modeli ve Tipi : KARTAL Marka, TSS KARTAL Model, 30°- 360° Açılı Çift Memeli Tip Yağmurlama Başlığı
Deney Yapan Deney Kurumu : Tekirdağ Namık Kemal Üniversitesi Ziraat Fakültesi Dekanlığı Biyosistem Mühendisliği Bölümü
Deney Raporu Tarih ve No'su : 10.08.2022- 2022/132
Ek Deney Raporu Tarih ve No'su :

Mehmet KİLCİ
Bakan a.
Genel Müdür Yardımcısı V.

a3a1813c-dd1e-4ddb-a6ed-04960339777e <https://www.turkiye.gov.tr/tarim-ebys>
Not: 5070 sayılı Elektronik İmza Kanunu gereği bu belge elektronik imza ile imzalanmıştır.



T.C.
TARIM VE ORMAN BAKANLIĞI
Tarım Reformu Genel Müdürlüğü

Belge No: 1719/2023-994

.../.../2023

KREDİ UYGUNLUK BELGESİ

Ziya Balcı Kartal Tarımsal Sulama Sistemleri(Güllü Bağlar Mahallesi Mazhar Sk. No: 16/2 Pendik/İSTANBUL) tarafından imal edilen ve aşağıda nitelikleri, deney raporu tarih ve numarası belirtilen tarımsal mekanizasyon aracının deney raporuna istinaden düzenlenmiş bu belge, 09/10/2020 tarihli ve 31269 sayılı Resmi Gazete' de yayımlanarak yürürlüğe giren "Tarım Makineleri ve Tarım Teknolojisi Araçlarının Deney ve Denetim Esaslarına İlişkin Yönetmelik" hükümleri gereğince verilmiştir. İş bu belge, Deney Raporunun düzenlenme tarihinden itibaren beş (5) yıl süre ile geçerli olup; söz konusu Araç tarımsal faaliyetler dışında kullanılamaz.

Vergi No : 40984511642

Aracın Markası, Modeli ve Tipi : KARTAL Marka, SS ATMACA Model, 30°- 360° Açılı Tek Memeli Tip Yağmurlama Başlığı
Deney Yapan Deney Kurumu : Tekirdağ Namık Kemal Üniversitesi Ziraat Fakültesi Dekanlığı Biyosistem Mühendisliği Bölümü
Deney Raporu Tarih ve No'su : 10.08.2022- 2022/131
Ek Deney Raporu Tarih ve No'su :

Mehmet KİLCİ
Bakan a.
Genel Müdür Yardımcısı V.

40c82c61-eb37-45c4-a52b-14278b121b25 <https://www.turkiye.gov.tr/tarim-ebys>
Not: 5070 sayılı Elektronik İmza Kanunu gereği bu belge elektronik imza ile imzalanmıştır.



📍 Güllübağlar Mah. Mazhar Sok. No. 16/2
Pendik / İSTANBUL
☎ 0 216 378 00 74
🌐 www.kartaltarimsal.com